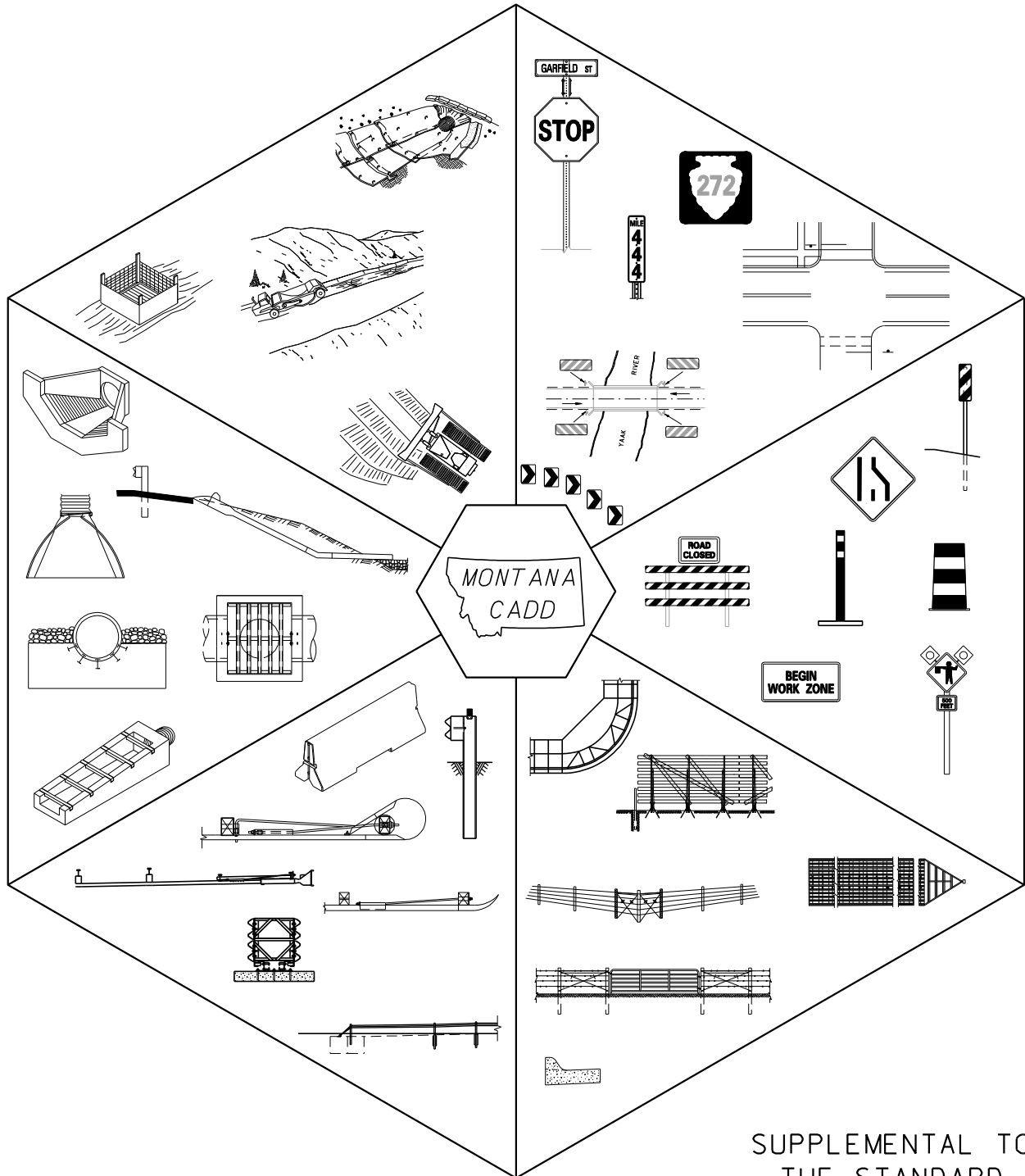


# DETAILED DRAWINGS

SUPPLEMENT TO  
2005 METRIC EDITION  
EFFECTIVE: SEPTEMBER 2010



SUPPLEMENTAL TO  
THE STANDARD  
SPECIFICATIONS FOR  
ROAD AND BRIDGE  
CONSTRUCTION

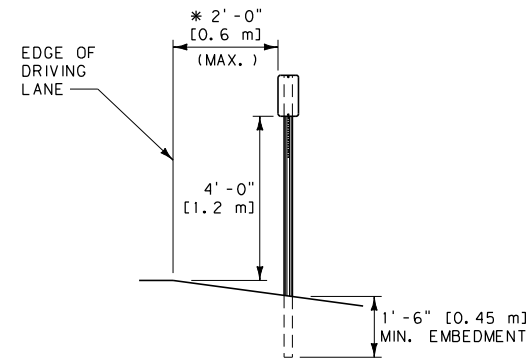
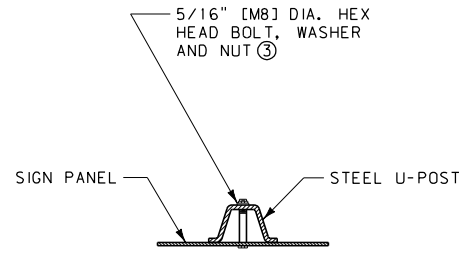
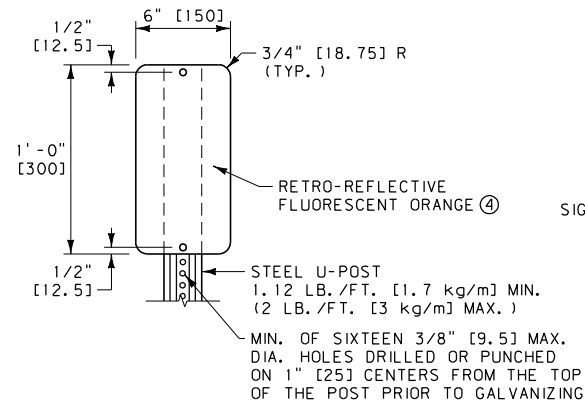
# ***DETAILED DRAWINGS***

## **TABLE OF CONTENTS**

**SUPPLEMENT TO 2005 METRIC EDITION  
EFFECTIVE: SEPTEMBER 2010**

| <b>STANDARD SPECIFICATION SECTION AND<br/>DRAWING TITLE</b>                | <b>DRAWING<br/>NUMBER</b> |
|--|---------------------------|
| <b><u>SECTION 101: DEFINITIONS AND TERMS</u></b>                           |                           |
| ABBREVIATIONS .....  | 101-05                    |
| ABBREVIATIONS .....  | 101-06                    |
| ABBREVIATIONS .....  | 101-07                    |
| ABBREVIATIONS .....  | 101-08                    |
| SYMBOLS .....  | 101-10                    |
| <b><u>SECTION 203: EXCAVATION AND EMBANKMENT</u></b>                       |                           |
| ROADWAY EMBANKMENT AT BRIDGE END .....                                     | 203-00                    |
| APPROACHES .....   | 203-05                    |
| APPROACH MAILBOX TURNOUT .....   | 203-10                    |
| MAILBOX TURNOUT .....  | 203-15                    |
| DITCH BLOCKS .....   | 203-20                    |
| <b><u>SECTION 208: WATER POLLUTION CONTROL AND STREAM PRESERVATION</u></b> |                           |
| SCHEDULE OF BEST MANAGEMENT PRACTICES .....                                | 208-00                    |
| INLET /OUTLET PROTECTION .....   | 208-1A                    |
| WATERWAY PROTECTION .....  | 208-1B                    |
| WATER RESOURCE PROTECTION .....  | 208-1C                    |
| PRESERVATION OF EXISTING VEGETATION (SS-2) .....                           | 208-02                    |
| HYDRAULIC MULCH (SS-3) .....   | 208-04                    |
| TEMPORARY SEEDING (SS-4) .....   | 208-06                    |
| SOIL BINDERS (SS-5) .....  | 208-08                    |
| STRAW MULCH (SS-6) .....   | 208-10                    |
| EROSION CONTROL BLANKETS /MATS, PLASTIC COVERS & GEOTEXTILES (SS-7) .....  | 208-12A                   |
| EROSION CONTROL BLANKETS /MATS, PLASTIC COVERS & GEOTEXTILES (SS-7) .....  | 208-12B                   |
| WOOD MULCH (SS-8) .....  | 208-14                    |
| EARTH DIKES /DRAINAGE SWALES & LINED DITCHES (SS-9) .....                  | 208-16                    |
| OUTLET PROTECTION /VELOCITY DISSIPATION DEVICES (SS-10) .....              | 208-18                    |
| SLOPE DRAINS (SS-11) .....   | 208-20                    |
| SLOPE ROUGHENING (SS-12) .....   | 208-22                    |
| TERRACED SLOPES (SS-13) .....  | 208-24                    |
| VEGETATED BUFFER (SS-14) .....   | 208-26                    |
| EROSION SEEDING (SS-15) .....  | 208-28                    |
| SILT FENCE (SC-1) .....  | 208-30                    |
| DESILTING BASIN (SC-2) .....   | 208-32A                   |
| DESILTING BASIN (SC-2) .....   | 208-32B                   |
| SEDIMENT TRAP (SC-3) .....   | 208-34                    |
| CHECK DAMS (SC-4) .....  | 208-36                    |
| FIBER ROLLS (SC-5) .....   | 208-38                    |
| GRAVEL BAG BERM (SC-6) .....   | 208-40                    |

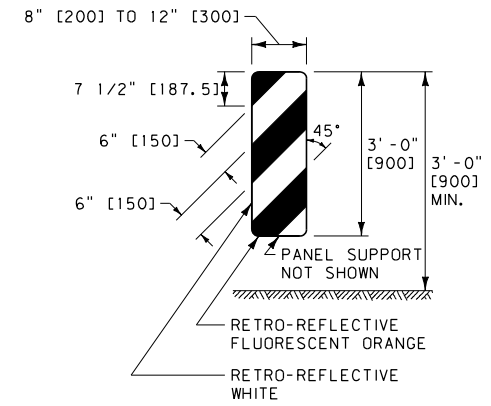
| <b>STANDARD SPECIFICATION SECTION AND<br/>DRAWING TITLE</b>                                    | <b>DRAWING<br/>NUMBER</b> |
|--|---------------------------|
| INLET AND OUTLET HEADWALLS FOR RCP AND CMP PIPES .....   | 613-12                    |
| CULVERT RIPRAP .....   | 613-14                    |
| EMBANKMENT PROTECTION .....  | 613-16                    |
| DRAINAGE CHUTES .....  | 613-18                    |
| <br><b><u>SECTION 615: IRRIGATION FACILITIES AND HEADWALLS</u></b>                             |                           |
| TRASHGUARD FOR CONCRETE IRRIGATION INLET AND OUTLET<br>TRANSITION STRUCTURES .....             | 615-02                    |
| STANDARD CONCRETE IRRIGATION DIVISION BOXES .....  | 615-04                    |
| CONCRETE IRRIGATION INLET AND OUTLET TRANSITION FOR RCP AND CSP PIPES .....                    | 615-06                    |
| <br><b><u>SECTION 618: TRAFFIC CONTROL</u></b>   |                           |
| CHANNELIZING DEVICES AND OBJECT MARKERS .....  | 618-00                    |
| CONSTRUCTION SIGN DETAILS .....  | 618-01                    |
| PORTABLE SIGN SUPPORT ASSEMBLY .....   | 618-02                    |
| BARRICADES .....   | 618-03                    |
| TWO-LANE CONSTRUCTION PROJECT .....  | 618-04                    |
| TWO-LANE CONSTRUCTION PROJECT WORK ZONES .....   | 618-08                    |
| TWO-LANE CONSTRUCTION PROJECT SEAL COAT .....  | 618-10                    |
| TWO-LANE CONSTRUCTION PROJECT LANE CLOSURE - FLAGGER CONTROLLED .....                          | 618-12                    |
| TWO-LANE CONSTRUCTION PROJECT LANE CLOSURE - SIGNAL CONTROLLED .....                           | 618-13                    |
| TWO-LANE EQUIPMENT ENTRANCES .....   | 618-14                    |
| TWO-LANE EQUIPMENT ENTRANCES .....   | 618-16                    |
| TWO-LANE CONSTRUCTION PROJECT DETOUR .....   | 618-18                    |
| DIVIDED FOUR-LANE CONSTRUCTION PROJECT .....   | 618-20                    |
| TEMPORARY ENTRANCE RAMP MEDIAN CROSSOVER .....   | 618-21                    |
| TEMPORARY EXIT RAMP MEDIAN CROSSOVER .....   | 618-22                    |
| DIVIDED FOUR-LANE CONSTRUCTION PROJECT WORK ZONES .....  | 618-24                    |
| DIVIDED FOUR-LANE EQUIPMENT ENTRANCE .....   | 618-27                    |
| DIVIDED FOUR-LANE MEDIAN CROSSING .....  | 618-28                    |
| TEMPORARY FOUR-LANE TO TWO-LANE MEDIAN CROSSOVER .....   | 618-30                    |
| TEMPORARY TWO-LANE TO FOUR-LANE MEDIAN CROSSOVER .....   | 618-32                    |
| SHORT DURATION CREW SIGNING .....  | 618-34                    |
| SHORT-TERM STATIONARY CREW SIGNING .....   | 618-36                    |
| MAINTENANCE GUIDELINE FOR SHORT-TERM TWO-LANE<br>CRACK SEALING WORK ZONE .....                 | 618-M1                    |
| MAINTENANCE GUIDELINE FOR SHORT-TERM TWO-LANE<br>CHIP SEAL AND OVERLAY (PILOTED TRAFFIC) ..... | 618-M2                    |
| MAINTENANCE GUIDELINE FOR SHORT-TERM LANE CLOSURE<br>ON INTERSTATE .....                       | 618-M3                    |
| LANE CLOSURE - FLAGGER CONTROLLED (URBAN TWO-LANE, TWO-WAY ROAD) .....                         | 618-U01                   |
| WORK ZONE OCCUPIES ONE HALF OF ROAD<br>(LOW SPEED URBAN TWO-LANE, TWO-WAY ROAD) .....          | 618-U02                   |
| WORK ZONE IN CENTER OF ROAD (URBAN TWO-LANE, TWO-WAY ROAD) .....                               | 618-U03                   |
| SIDEWALK CLOSURES AND BYPASS WALKWAY .....   | 618-U05                   |
| CROSSWALK CLOSURES AND PEDESTRIAN DETOURS .....  | 618-U10                   |
| LANE CLOSURE (URBAN TWO-LANE, TWO-WAY ROAD WITH TWO-WAY LEFT TURN LANE) .....                  | 618-U15                   |
| TURN LANE CLOSURE (URBAN TWO-LANE, TWO-WAY ROAD<br>WITH TWO-WAY LEFT TURN LANE) .....          | 618-U16                   |



TYPE 2 OBJECT MARKER

TYPE 2 OBJECT MARKER NOTES:

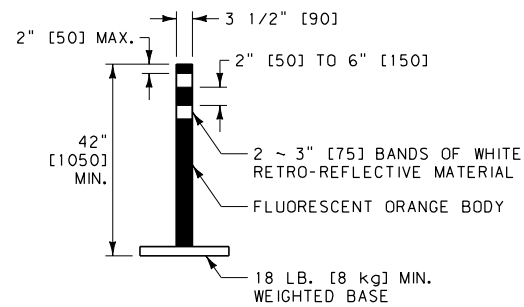
- ① USE TYPE 2 OBJECT MARKERS TO DELINEATE ROADSIDE CONSTRUCTIONS OF THE CLEAR ZONE (i.e., DROP OFFS, OBSTACLES, ABRUPT CHANGES IN ROADWAY ALIGNMENT, ETC.)
  - ② DO NOT USE TYPE 2 OBJECT MARKERS AS CHANNELIZING DEVICES.
  - ③ ATTACH PANELS TO POSTS AT BOTH TOP AND BOTTOM HOLE LOCATIONS.
  - ④ USE RETRO-REFLECTIVE SHEETING AS PER THE CONTRACT.
- \* REDUCE OR ELIMINATE THE 2'-0" [0.6 m] DISTANCE WHEN OBSTACLE OR HAZARD IS LESS THAN 2'-0" [0.6 m] FROM THE EDGE OF THE DRIVING LANE.



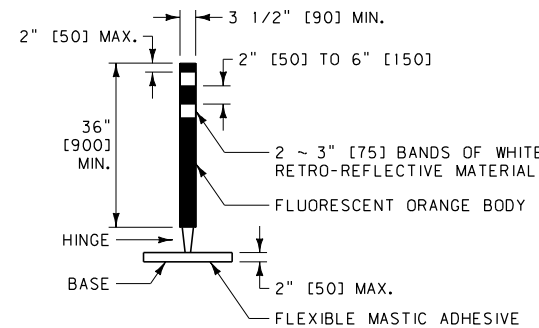
PORTABLE VERTICAL PANEL  
(VP-1R SHOWN. REVERSE FOR VP-1L.)

PORTABLE VERTICAL PANEL NOTES:

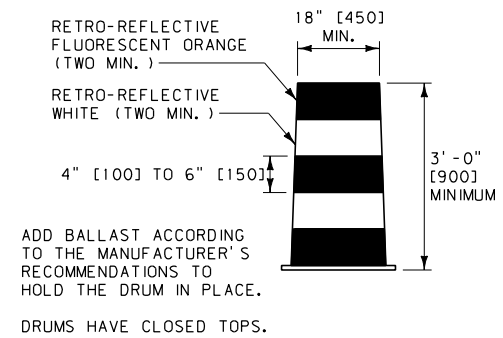
- ① USE PORTABLE VERTICAL PANELS AS CHANNELIZING DEVICES ONLY. DO NOT USE PORTABLE VERTICAL PANELS TO DELINEATE ROADSIDE CONSTRUCTIONS OF THE CLEAR ZONE.
- ② VERTICAL PANELS DESIGNATED "R" ARE PLACED TO THE RIGHT SIDE OF APPROACHING TRAFFIC. THOSE DESIGNATED "L" ARE PLACED TO THE LEFT SIDE.
- ③ USE RETRO-REFLECTIVE SHEETING AS PER THE CONTRACT.



FLEXIBLE GUIDE POST  
(TUBULAR MARKER)



HINGED FLEXIBLE GUIDE POST  
(TUBULAR MARKER)  
(SELF RIGHTING AFTER IMPACT)



PLASTIC DRUM

FLEXIBLE GUIDE POST AND PLASTIC DRUM NOTES:

- ① USE FLEXIBLE GUIDE POSTS AND PLASTIC DRUMS AS CHANNELIZING DEVICES.
- ② USE ASTM TYPE III RETRO-REFLECTIVE SHEETING ON ALL PLASTIC DRUMS AND FLEXIBLE GUIDE POSTS.

GENERAL NOTES:

- ① SEE THE MANUAL ON UNIFORM TRAFFIC CONTROL DEVICES (MUTCD) PART 6 FOR ADDITIONAL INFORMATION.

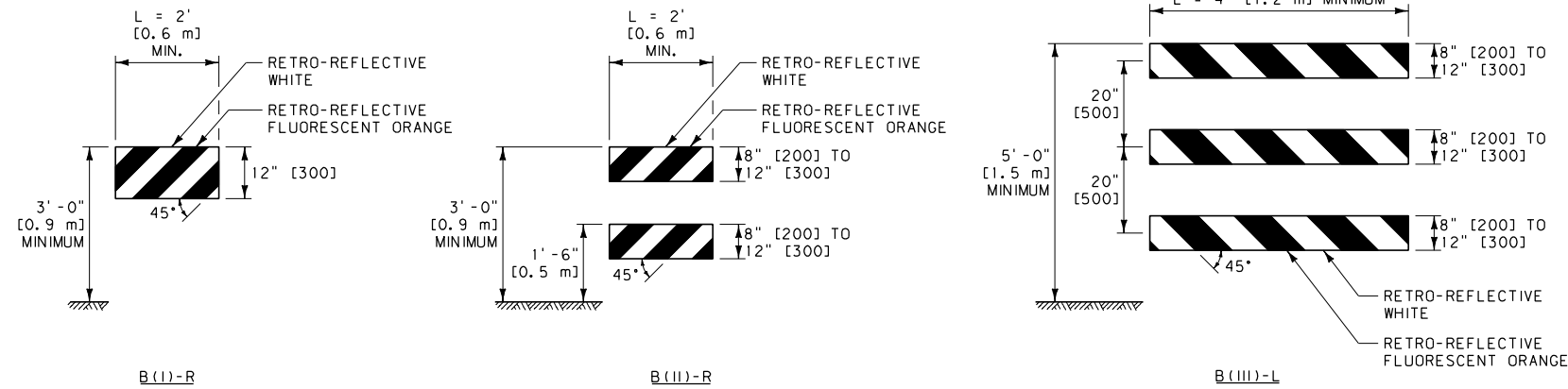
UNITS SHOWN IN BRACKETS [ ] ARE METRIC AND ARE IN MILLIMETERS (mm) UNLESS OTHER UNITS ARE SHOWN.

|                  |          |
|------------------|----------|
| DETAILED DRAWING |          |
| REFERENCE        | DWG. NO. |
| SECTION 618      | 618-00   |

CHANNELIZING DEVICES  
AND OBJECT MARKERS

|   |                       |
|---|-----------------------|
| --REVISED--<br>September 2010                   | EFFECTIVE: APRIL 2006 |
| <b>MDT</b> MONTANA DEPARTMENT OF TRANSPORTATION |                       |

PORTABLE BARRICADES



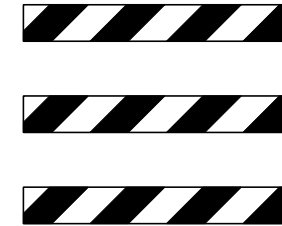
PORTABLE BARRICADE NOTES:

- ① RAIL STRIPES ARE 6" [150] IN WIDTH FOR BARRICADES 3' [0.9 m] OR GREATER IN LENGTH. FOR BARRICADES LESS THAN 3' [0.9 m] IN LENGTH, 4" [100] STRIPES MAY BE USED.
- ② THE PREDOMINANT COLOR FOR OTHER BARRICADE COMPONENTS IS WHITE, BUT UNPAINTED GALVANIZED METAL OR ALUMINUM COMPONENTS MAY BE USED.
- ③ WHERE B(III) BARRICADES ARE TO FACE TRAFFIC FROM TWO DIRECTIONS, STRIPING ON BOTH THE FRONT AND REAR SIDES IS REQUIRED.
- ④ USE MATERIALS FOR BARRICADE FRAMEWORK AND ASSEMBLY, INCLUDING ANY SIGNS AND MEANS OF ATTACHMENT, THAT MEET THE REQUIREMENTS FOR NCHRP 350 FOR WORK ZONE DEVICES. AS AN OPTION, SIGNS MAY BE MOUNTED DIRECTLY BEHIND BARRICADES ON SEPARATE SIGN SUPPORTS MEETING NCHRP 350 CRITERIA.
- ⑤ USE SANDBAGS OF SUFFICIENT WEIGHT TO HOLD THE BARRICADES IN PLACE. WATERPROOF SANDBAGS DURING PERIODS OF FREEZING WEATHER.
- ⑥ USE RETRO-REFLECTIVE SHEETING AS PER THE CONTRACT.

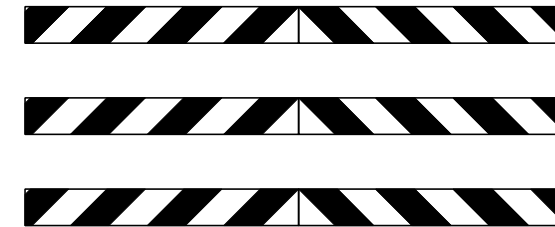
GENERAL NOTES:

- ① SEE THE MANUAL ON UNIFORM TRAFFIC CONTROL DEVICES (MUTCD) PART 6 FOR ADDITIONAL INFORMATION.

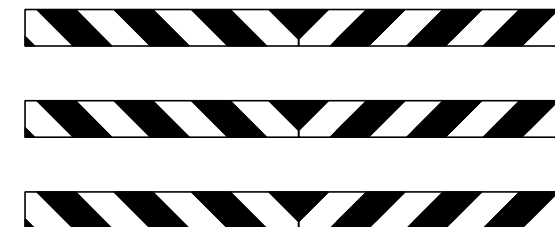
RAIL STRIPES



WHERE BARRICADES EXTEND ENTIRELY ACROSS THE ROADWAY, POSITION BARRICADES SO THE STRIPES SLOPE DOWNWARD IN THE DIRECTION TOWARD WHICH THE ROAD USERS MUST TURN.



WHERE BOTH LEFT AND RIGHT TURNS ARE PERMITTED, POSITION BARRICADES SO THE STRIPES SLOPE DOWNWARD IN BOTH DIRECTIONS AWAY FROM THE CENTER OF THE BARRICADE OR BARRICADES.



WHERE NO TURNS ARE PERMITTED, POSITION THE BARRICADES SO THE STRIPES SLOPE DOWNWARD IN BOTH DIRECTIONS TOWARDS THE CENTER OF THE BARRICADE OR BARRICADES.

UNITS SHOWN IN BRACKETS [ ] ARE METRIC AND ARE IN MILLIMETERS (mm) UNLESS OTHER UNITS ARE SHOWN.

|                  |          |
|------------------|----------|
| DETAILED DRAWING |          |
| REFERENCE        | DWG. NO. |
| STANDARD SPEC.   | 618-03   |
| SECTION 618      |          |

BARRICADES

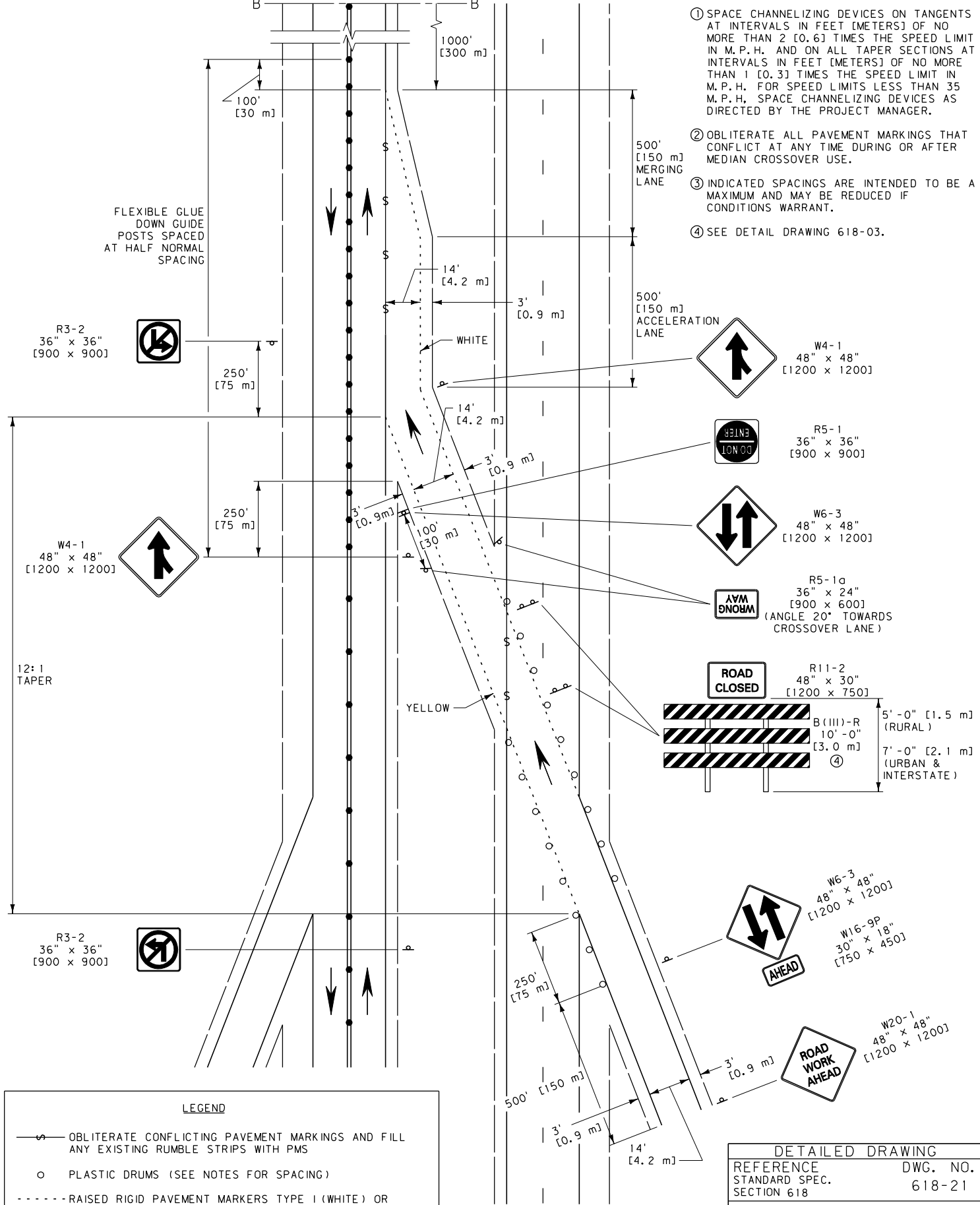
EFFECTIVE: SEPTEMBER 2010



MATCH LINE FROM  
DTL. DWG. NO. 618-30

NOTES:

- ① SPACE CHANNELIZING DEVICES ON TANGENTS AT INTERVALS IN FEET [METERS] OF NO MORE THAN 2 [0.6] TIMES THE SPEED LIMIT IN M.P.H. AND ON ALL TAPER SECTIONS AT INTERVALS IN FEET [METERS] OF NO MORE THAN 1 [0.3] TIMES THE SPEED LIMIT IN M.P.H. FOR SPEED LIMITS LESS THAN 35 M.P.H. SPACE CHANNELIZING DEVICES AS DIRECTED BY THE PROJECT MANAGER.
- ② OBLITERATE ALL PAVEMENT MARKINGS THAT CONFLICT AT ANY TIME DURING OR AFTER MEDIAN CROSSOVER USE.
- ③ INDICATED SPACINGS ARE INTENDED TO BE A MAXIMUM AND MAY BE REDUCED IF CONDITIONS WARRANT.
- ④ SEE DETAIL DRAWING 618-03.



FLEXIBLE GLUE  
DOWN GUIDE  
POSTS SPACED  
AT HALF NORMAL  
SPACING

R3-2  
36" x 36"  
[900 x 900]



250'  
[75 m]

W4-1  
48" x 48"  
[1200 x 1200]



12:1  
TAPER

14' [4.2 m]

14' [4.2 m]

3' [0.9 m]

3' [0.9 m]

100' [30 m]

3' [0.9 m]

3' [0.9 m]

3' [0.9 m]

3' [0.9 m]

3' [0.9 m]

14' [4.2 m]

500'  
[150 m]  
MERGING  
LANE

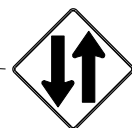
500'  
[150 m]  
ACCELERATION  
LANE



W4-1  
48" x 48"  
[1200 x 1200]



R5-1  
36" x 36"  
[900 x 900]



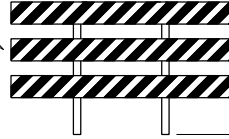
W6-3  
48" x 48"  
[1200 x 1200]



R5-1a  
36" x 24"  
[900 x 600]  
(ANGLE 20° TOWARDS  
CROSSOVER LANE)



R11-2  
48" x 30"  
[1200 x 750]



5' -0" [1.5 m]  
(RURAL)  
7' -0" [2.1 m]  
(URBAN &  
INTERSTATE)



W6-3  
48" x 48"  
[1200 x 1200]



W16-9P  
30" x 18"  
[750 x 450]



W20-1  
48" x 48"  
[1200 x 1200]

LEGEND

- OBLITERATE CONFLICTING PAVEMENT MARKINGS AND FILL ANY EXISTING RUMBLE STRIPS WITH PMS
- PLASTIC DRUMS (SEE NOTES FOR SPACING)
- - - - - RAISED RIGID PAVEMENT MARKERS TYPE I (WHITE) OR TYPE II (YELLOW) AT 5' [1.5 m] SPACING
- ==== DOUBLE YELLOW PAINT OR DOUBLE PLASTIC PAVEMENT MARKING TABS AT 5' [1.5 m] SPACING
- FLEXIBLE GLUE-DOWN GUIDE POSTS ON TWO-LANE (SEE NOTES FOR SPACING EXCEPT AS SHOWN)

UNITS SHOWN IN BRACKETS [ ] ARE METRIC AND ARE IN MILLIMETERS (mm) UNLESS OTHER UNITS ARE SHOWN.

| DETAILED DRAWING                     |                 |
|--------------------------------------|-----------------|
| REFERENCE STANDARD SPEC. SECTION 618 | DWG. NO. 618-21 |

TEMPORARY  
ENTRANCE RAMP  
MEDIAN CROSSOVER

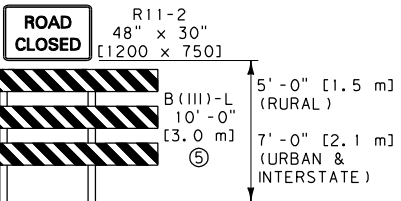
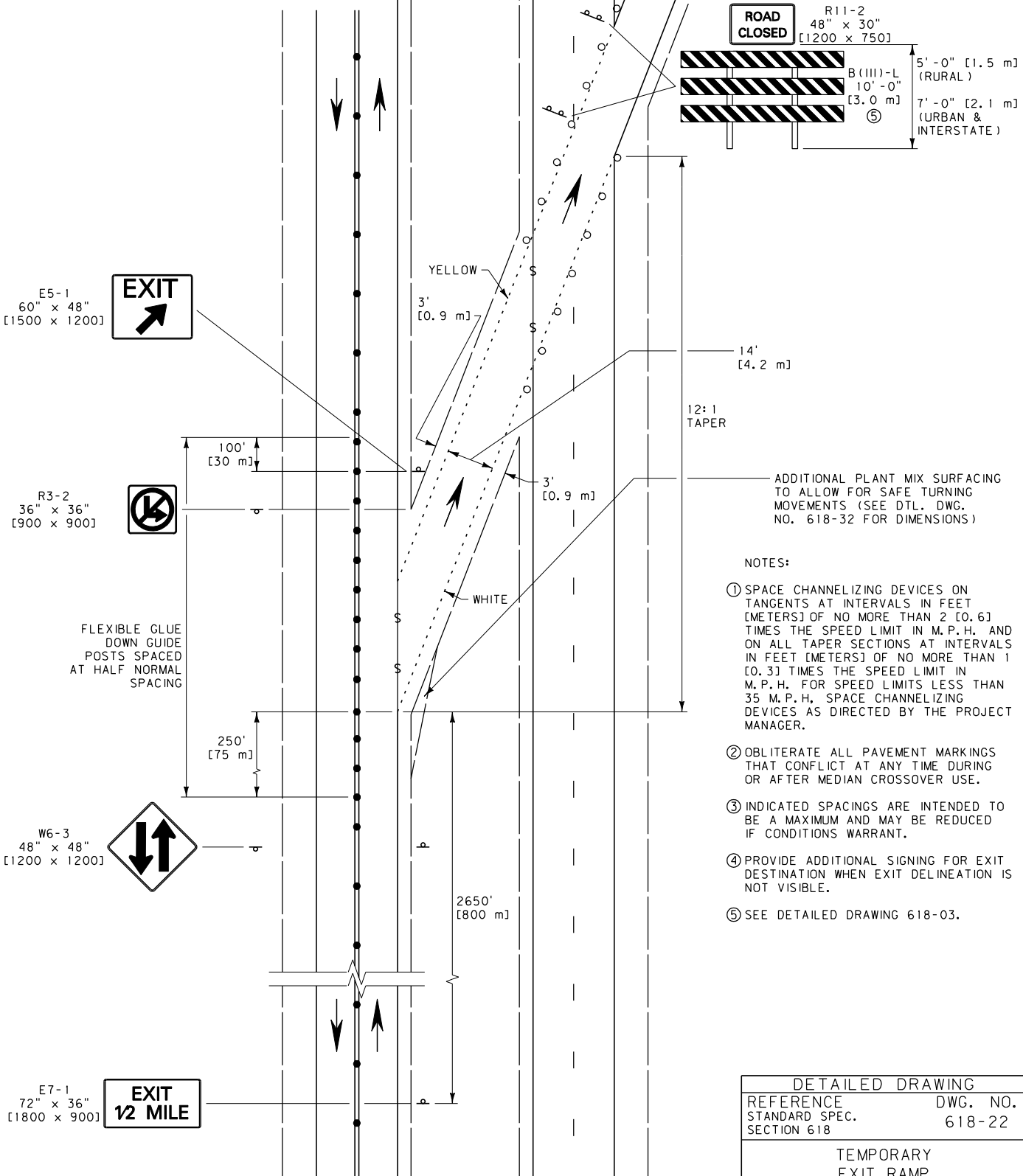
--REVISED--  
September 2010

EFFECTIVE: APRIL 2006



**LEGEND**

- S — OBLITERATE CONFLICTING PAVEMENT MARKINGS AND FILL ANY EXISTING RUMBLE STRIPS WITH PMS
- PLASTIC DRUMS (SEE NOTES FOR SPACING)
- - - - - RAISED RIGID PAVEMENT MARKERS TYPE I (WHITE) OR TYPE II (YELLOW) AT 5' [1.5 m] SPACING
- ==== DOUBLE YELLOW PAINT OR DOUBLE PLASTIC PAVEMENT MARKING TABS AT 5' [1.5 m] SPACING
- FLEXIBLE GLUE-DOWN GUIDE POSTS ON TWO-LANE (SEE NOTES FOR SPACING EXCEPT AS SHOWN)



E5-1  
 60" x 48"  
 [1500 x 1200]



R3-2  
 36" x 36"  
 [900 x 900]



W6-3  
 48" x 48"  
 [1200 x 1200]



E7-1  
 72" x 36"  
 [1800 x 900]



**NOTES:**

- ① SPACE CHANNELIZING DEVICES ON TANGENTS AT INTERVALS IN FEET [METERS] OF NO MORE THAN 2 [0.6] TIMES THE SPEED LIMIT IN M.P.H. AND ON ALL TAPER SECTIONS AT INTERVALS IN FEET [METERS] OF NO MORE THAN 1 [0.3] TIMES THE SPEED LIMIT IN M.P.H. FOR SPEED LIMITS LESS THAN 35 M.P.H. SPACE CHANNELIZING DEVICES AS DIRECTED BY THE PROJECT MANAGER.
- ② OBLITERATE ALL PAVEMENT MARKINGS THAT CONFLICT AT ANY TIME DURING OR AFTER MEDIAN CROSSOVER USE.
- ③ INDICATED SPACINGS ARE INTENDED TO BE A MAXIMUM AND MAY BE REDUCED IF CONDITIONS WARRANT.
- ④ PROVIDE ADDITIONAL SIGNING FOR EXIT DESTINATION WHEN EXIT DELINEATION IS NOT VISIBLE.
- ⑤ SEE DETAILED DRAWING 618-03.

UNITS SHOWN IN BRACKETS [ ] ARE METRIC AND ARE IN MILLIMETERS (mm) UNLESS OTHER UNITS ARE SHOWN.

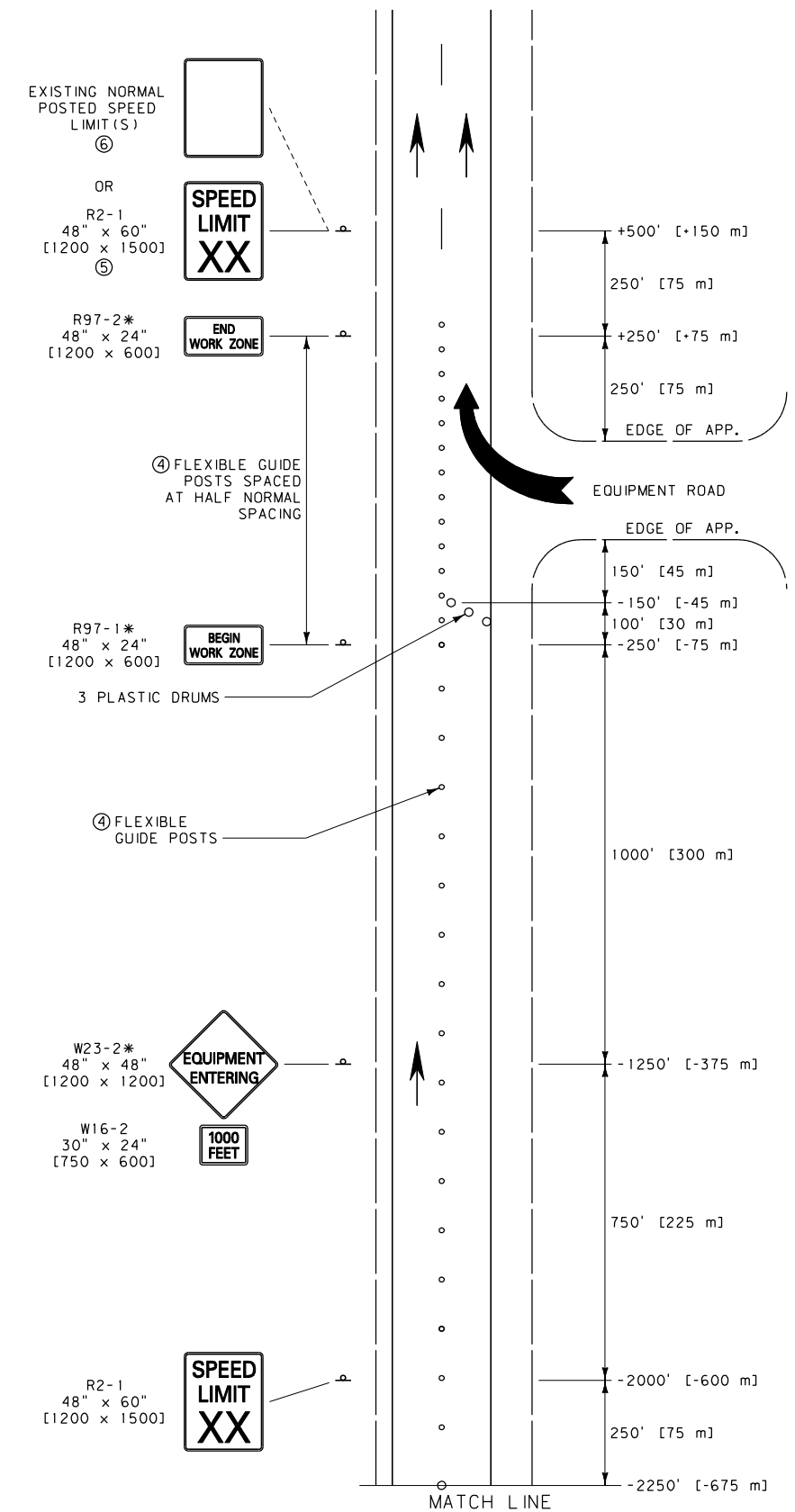
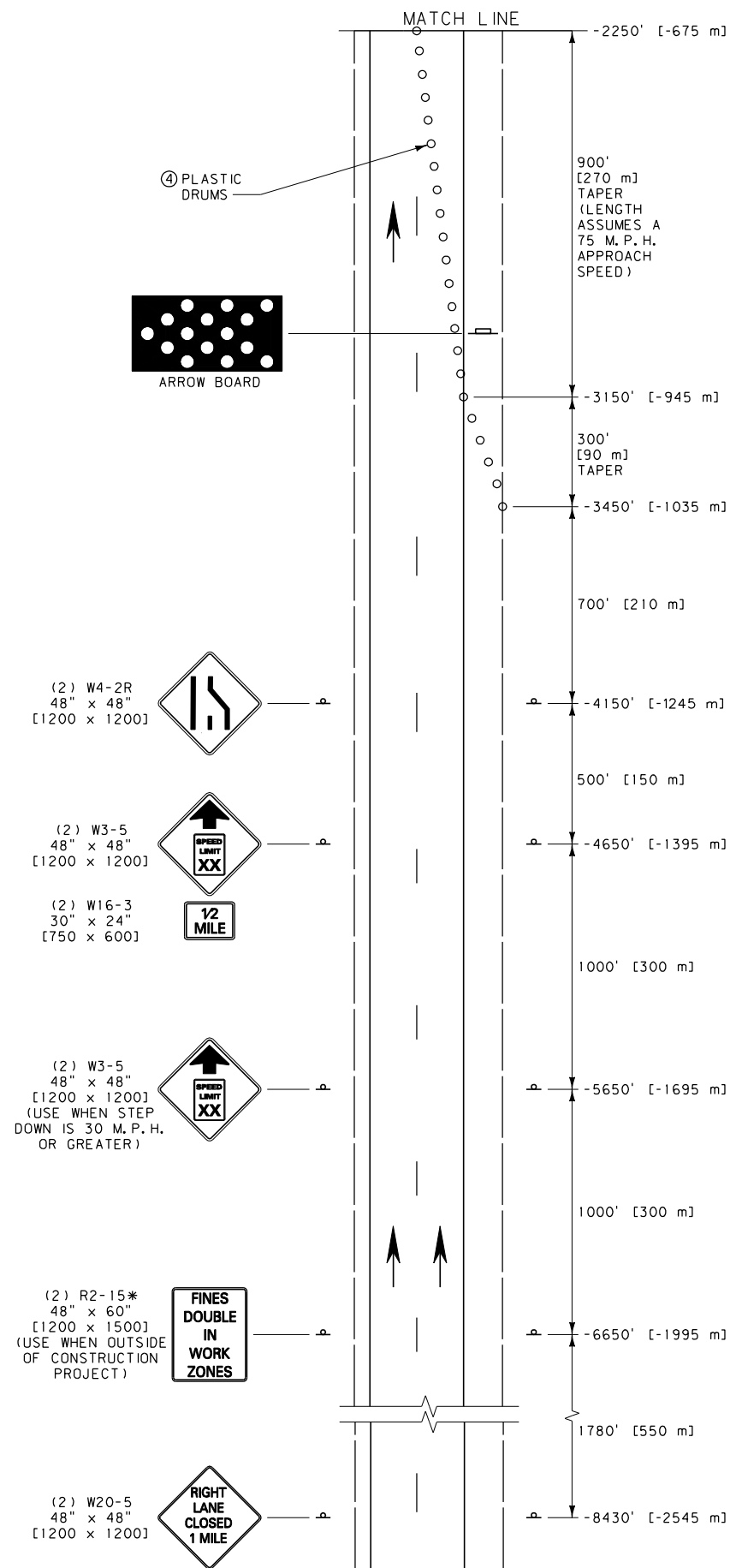
| DETAILED DRAWING                     |                 |
|--------------------------------------|-----------------|
| REFERENCE STANDARD SPEC. SECTION 618 | DWG. NO. 618-22 |

TEMPORARY  
 EXIT RAMP  
 MEDIAN CROSSOVER

--REVISED--  
 September 2010

EFFECTIVE: APRIL 2006





- NOTES:
- ① INCLUDE SPEED LIMIT SIGNING ONLY IF THERE IS REASON TO RESTRICT SPEED WITHIN THE WORK ZONE. REMOVE OR COVER REGULATORY SIGNS TO MATCH ADJACENT REGULATIONS.
  - ② XX = SPEED DETERMINED BY THE PROJECT MANAGER.
  - ③ THE WORK ZONE REFERS TO THE AREA WHERE WORK IS ACTUALLY TAKING PLACE. WHEN THIS OCCURS OUTSIDE OF A CONSTRUCTION PROJECT, INCLUDE THE R2-15\* SIGN.
  - ④ SPACE FLEXIBLE GUIDE POSTS ON TANGENTS AT INTERVALS IN FEET [METERS] OF NO MORE THAN TWO [0.6] TIMES THE SPEED LIMIT IN M.P.H. SPACE PLASTIC DRUMS IN ALL TAPER SECTIONS AT INTERVALS IN FEET [METERS] OF NO MORE THAN ONE [0.3] TIMES THE SPEED LIMIT IN M.P.H. FOR SPEED LIMITS LESS THAN 35 M.P.H., SPACE CHANNELIZING DEVICES AS DIRECTED BY THE PROJECT MANAGER.
  - ⑤ POST THE END OF WORK ZONE SPEED LIMIT APPROPRIATE FOR ALL VEHICLES FOR THE REMAINDER OF THE CONSTRUCTION PROJECT BEFORE RESUMING TO NORMAL POSTED SPEED LIMITS AT THE END OF THE CONSTRUCTION PROJECT.
  - ⑥ WHEN OUTSIDE OF A CONSTRUCTION PROJECT, POST THE SPEED LIMIT CONSISTING OF ONE LIMIT WHEN THE NORMAL POSTED SPEED LIMIT FOR ALL VEHICLES IS THE SAME. WHEN CAR AND TRUCK SPEED LIMITS DIFFER, POST BOTH LIMITS ON A SINGLE SIGN.
- \* DENOTES SIGNS THAT ARE UNIQUE TO MONTANA.

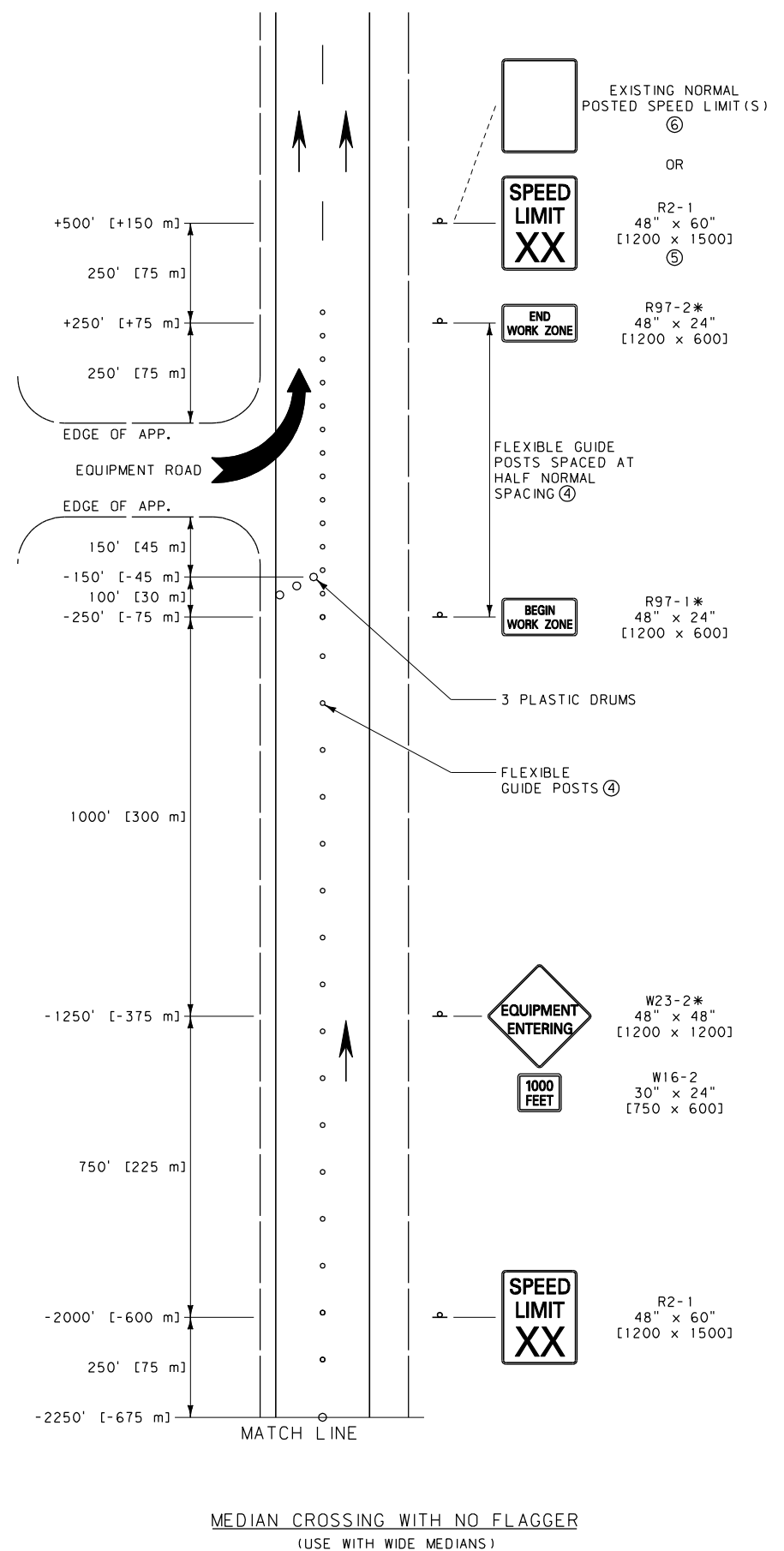
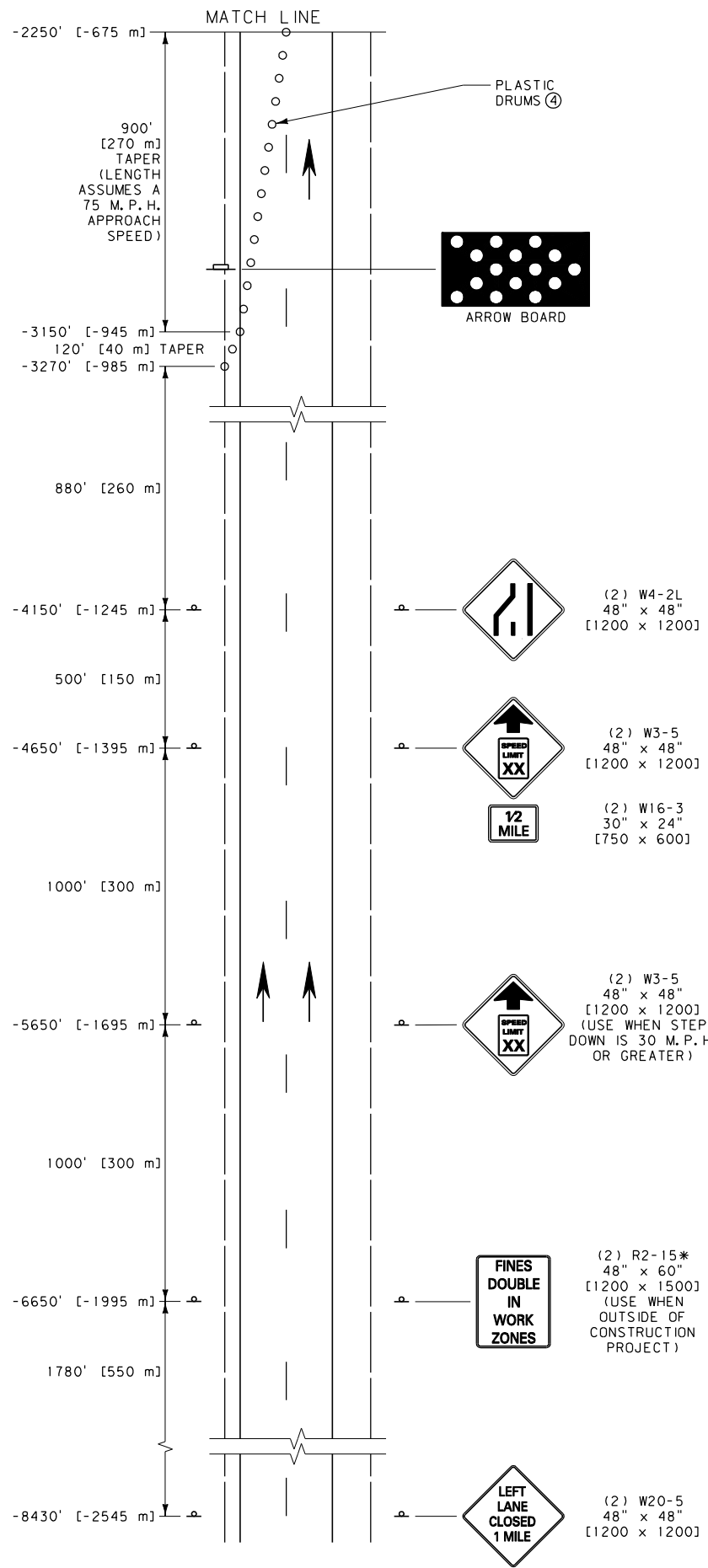
UNITS SHOWN IN BRACKETS [ ] ARE METRIC AND ARE IN MILLIMETERS (mm) UNLESS OTHER UNITS ARE SHOWN.

|                                      |                 |
|--------------------------------------|-----------------|
| DETAILED DRAWING                     |                 |
| REFERENCE STANDARD SPEC. SECTION 618 | DWG. NO. 618-27 |

DIVIDED FOUR-LANE EQUIPMENT ENTRANCE

|   |                       |
|---|-----------------------|
| --REVISED--<br>September 2010                   | EFFECTIVE: APRIL 2006 |
| <b>MDT</b> MONTANA DEPARTMENT OF TRANSPORTATION |                       |

EQUIPMENT ENTRANCE WITH NO FLAGGER



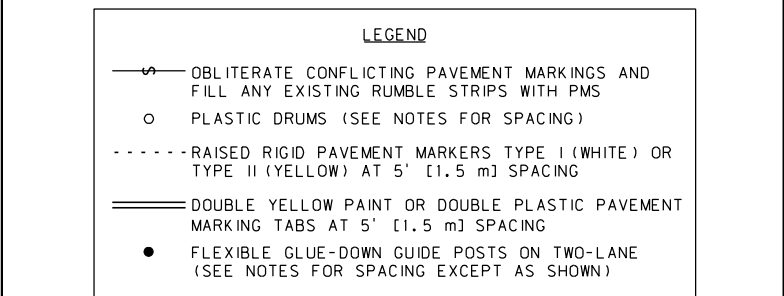
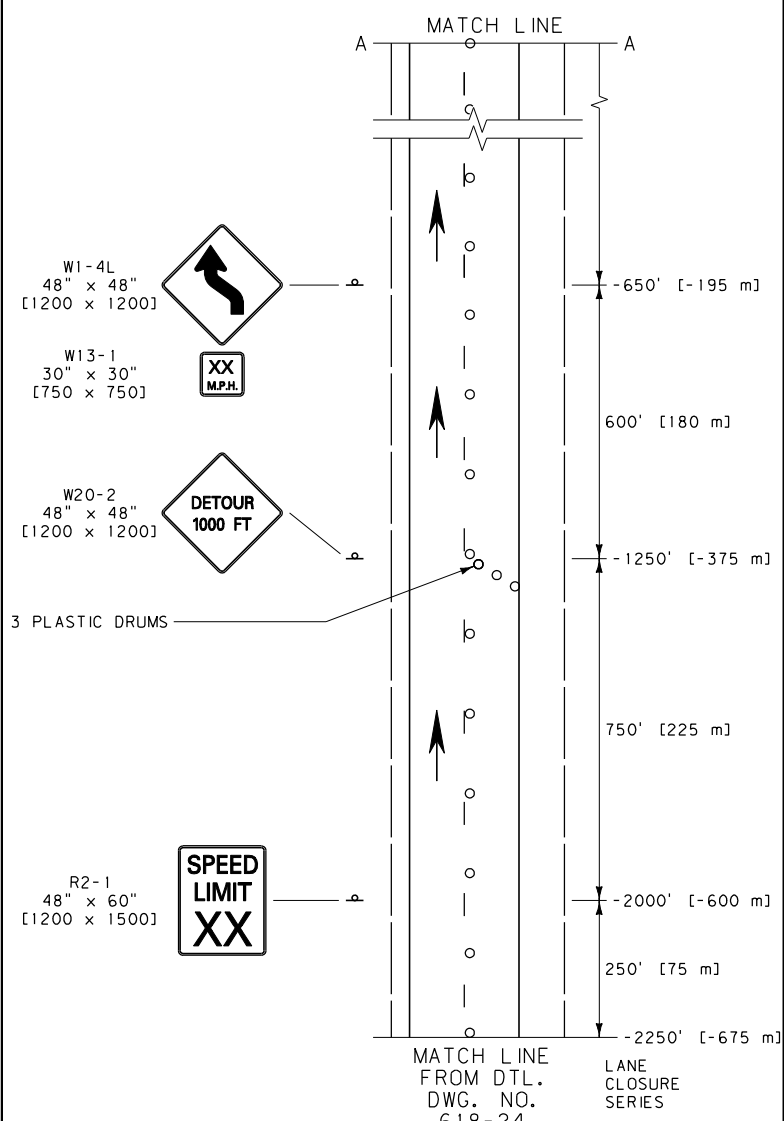
- NOTES:
- ① INCLUDE SPEED LIMIT SIGNING ONLY IF THERE IS REASON TO RESTRICT SPEED WITHIN THE WORK ZONE. REMOVE OR COVER REGULATORY SIGNS TO MATCH ADJACENT REGULATIONS.
  - ② XX = SPEED DETERMINED BY THE PROJECT MANAGER.
  - ③ THE WORK ZONE REFERS TO THE AREA WHERE WORK IS ACTUALLY TAKING PLACE. WHEN THIS OCCURS OUTSIDE OF A CONSTRUCTION PROJECT, INCLUDE THE W20-1 AND R2-15\* SIGNS.
  - ④ SPACE FLEXIBLE GUIDE POSTS ON TANGENTS AT INTERVALS IN FEET [METERS] OF NO MORE THAN TWO [0.6] TIMES THE SPEED LIMIT IN M.P.H. SPACE PLASTIC DRUMS IN ALL TAPER SECTIONS AT INTERVALS IN FEET [METERS] OF NO MORE THAN ONE [0.3] TIMES THE SPEED LIMIT IN M.P.H. FOR SPEED LIMITS LESS THAN 35 M.P.H., SPACE CHANNELIZING DEVICES AS DIRECTED BY THE PROJECT MANAGER.
  - ⑤ POST THE END OF WORK ZONE SPEED LIMIT APPROPRIATE FOR ALL VEHICLES FOR THE REMAINDER OF THE CONSTRUCTION PROJECT BEFORE RESUMING TO NORMAL POSTED SPEED LIMITS AT THE END OF THE CONSTRUCTION PROJECT.
  - ⑥ WHEN OUTSIDE OF A CONSTRUCTION PROJECT, POST THE SPEED LIMIT CONSISTING OF ONE LIMIT WHEN THE NORMAL POSTED SPEED LIMIT FOR ALL VEHICLES IS THE SAME. WHEN CAR AND TRUCK SPEED LIMITS DIFFER, POST BOTH LIMITS ON A SINGLE SIGN.
- \* DENOTES SIGNS THAT ARE UNIQUE TO MONTANA.

UNITS SHOWN IN BRACKETS [ ] ARE METRIC AND ARE IN MILLIMETERS (mm) UNLESS OTHER UNITS ARE SHOWN.

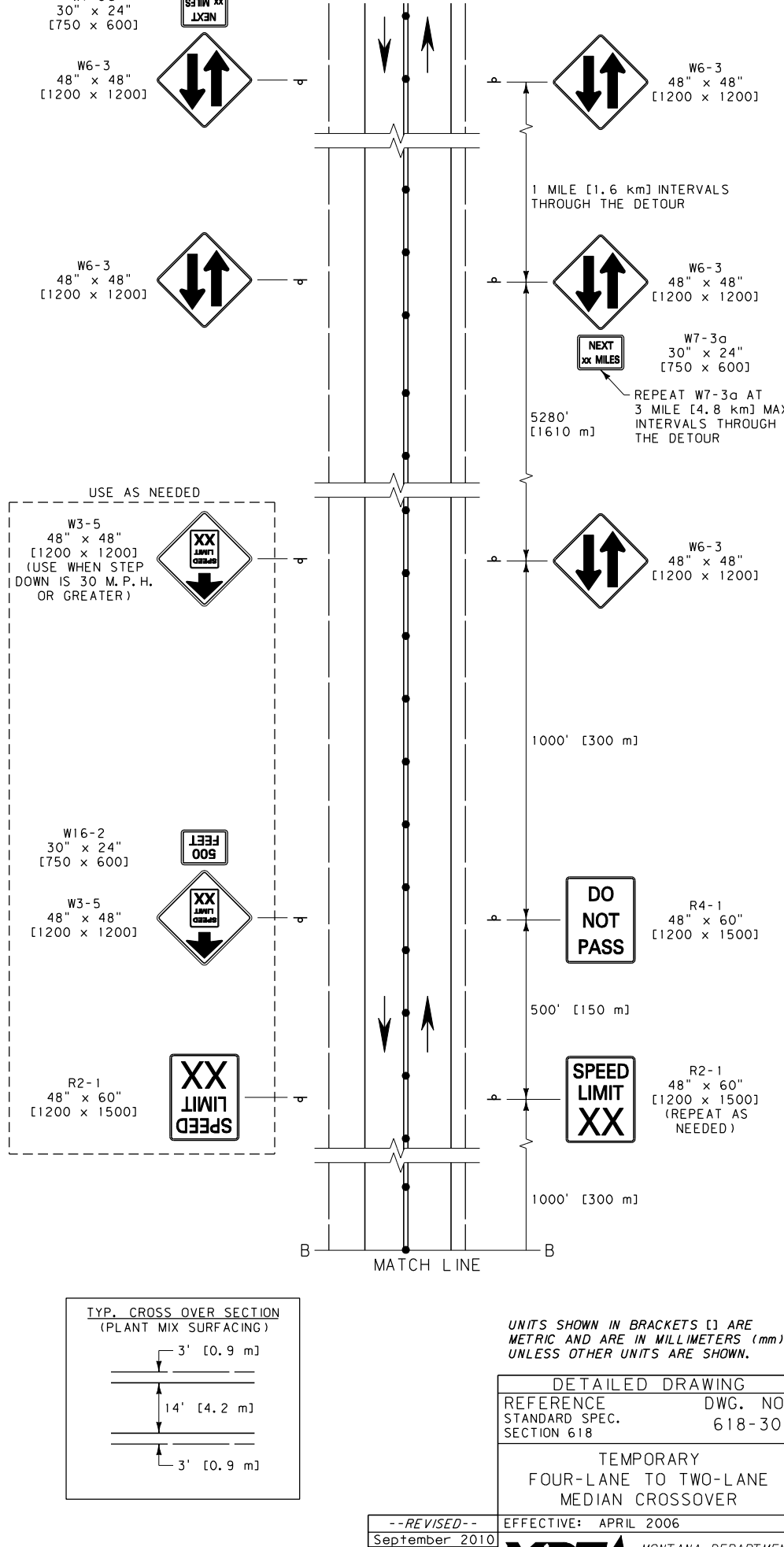
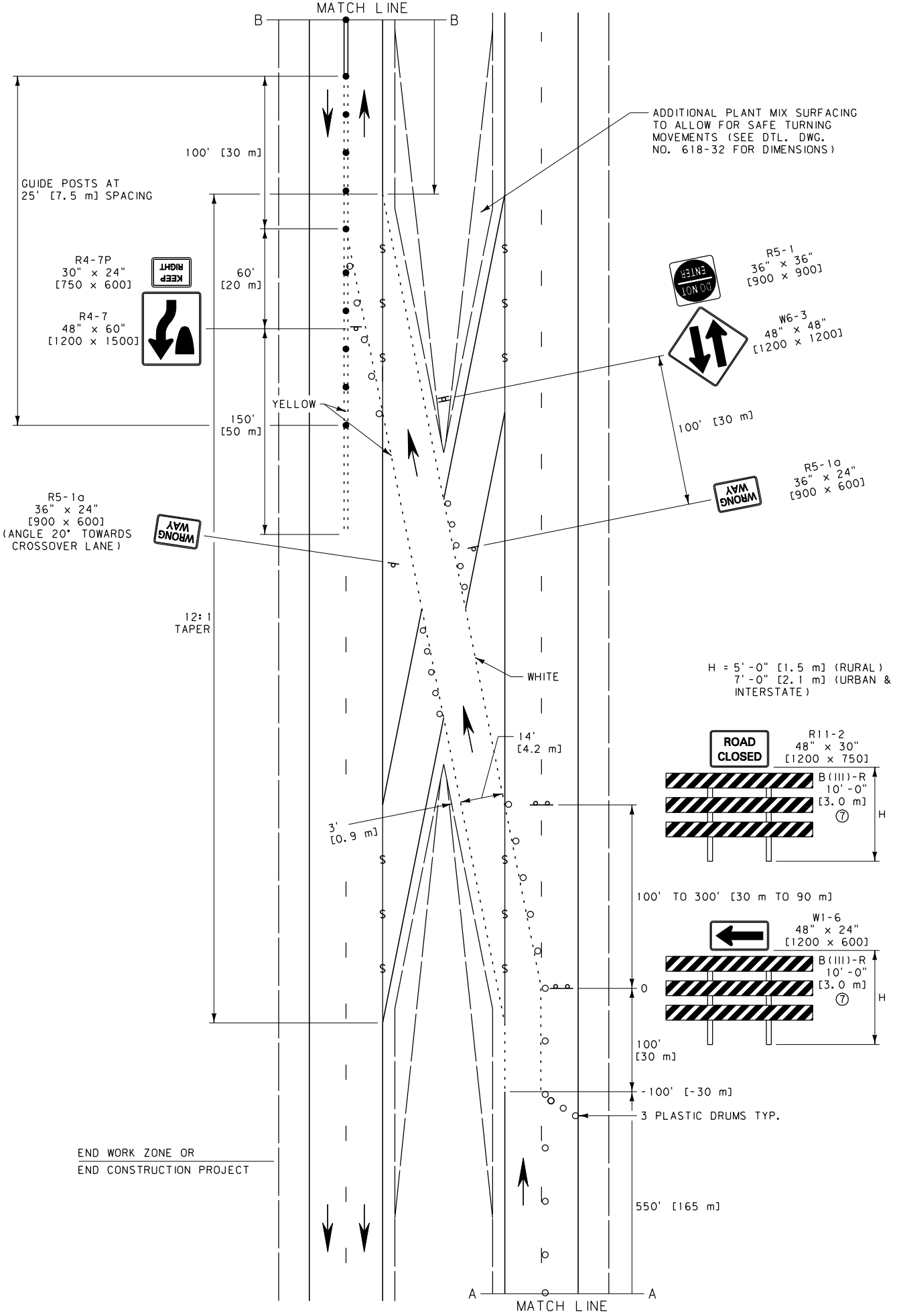
|                  |          |
|------------------|----------|
| DETAILED DRAWING |          |
| REFERENCE        | DWG. NO. |
| STANDARD SPEC.   | 618-28   |
| SECTION 618      |          |

DIVIDED FOUR-LANE  
MEDIAN CROSSING

|   |                       |
|---|-----------------------|
| --REVISED--                                     | EFFECTIVE: APRIL 2006 |
| September 2010                                  |                       |
| <b>MDT</b> MONTANA DEPARTMENT OF TRANSPORTATION |                       |



- LEGEND**
- OBLITERATE CONFLICTING PAVEMENT MARKINGS AND FILL ANY EXISTING RUMBLE STRIPS WITH PMS
  - PLASTIC DRUMS (SEE NOTES FOR SPACING)
  - - - - - RAISED RIGID PAVEMENT MARKERS TYPE I (WHITE) OR TYPE II (YELLOW) AT 5' [1.5 m] SPACING
  - ==== DOUBLE YELLOW PAINT OR DOUBLE PLASTIC PAVEMENT MARKING TABS AT 5' [1.5 m] SPACING
  - FLEXIBLE GLUE-DOWN GUIDE POSTS ON TWO-LANE (SEE NOTES FOR SPACING EXCEPT AS SHOWN)
- NOTES:**
- ① INCLUDE REGULATORY SIGNING ONLY AS REQUIRED. REMOVE OR COVER REGULATORY SIGNS TO MATCH ADJACENT REGULATIONS.
  - ② THE WORK ZONE REFERS TO THE AREA WITHIN THE CONSTRUCTION PROJECT WHERE WORK IS ACTUALLY TAKING PLACE.
  - ③ INDICATED SPACINGS ARE INTENDED TO BE A MAXIMUM AND MAY BE REDUCED IF CONDITIONS WARRANT.
  - ④ XX = SPEED DETERMINED BY THE MEDIAN CROSSOVER DESIGN SPEED OR THE PROJECT MANAGER.
  - ⑤ SPACE CHANNELIZING DEVICES ON TANGENTS AT INTERVALS IN FEET [METERS] OF NO MORE THAN TWO [0.6] TIMES THE SPEED LIMIT IN M.P.H. AND ON ALL TAPER SECTIONS AT INTERVALS IN FEET [METERS] OF NO MORE THAN ONE [0.3] TIMES THE SPEED LIMIT IN M.P.H. FOR SPEED LIMITS LESS THAN 35 M.P.H., SPACE CHANNELIZING DEVICES AS DIRECTED BY THE PROJECT MANAGER.
  - ⑥ OBLITERATE ALL PAVEMENT MARKINGS THAT CONFLICT AT ANY TIME DURING OR AFTER MEDIAN CROSSOVER USE.
  - ⑦ SEE DETAILED DRAWING 618-03.

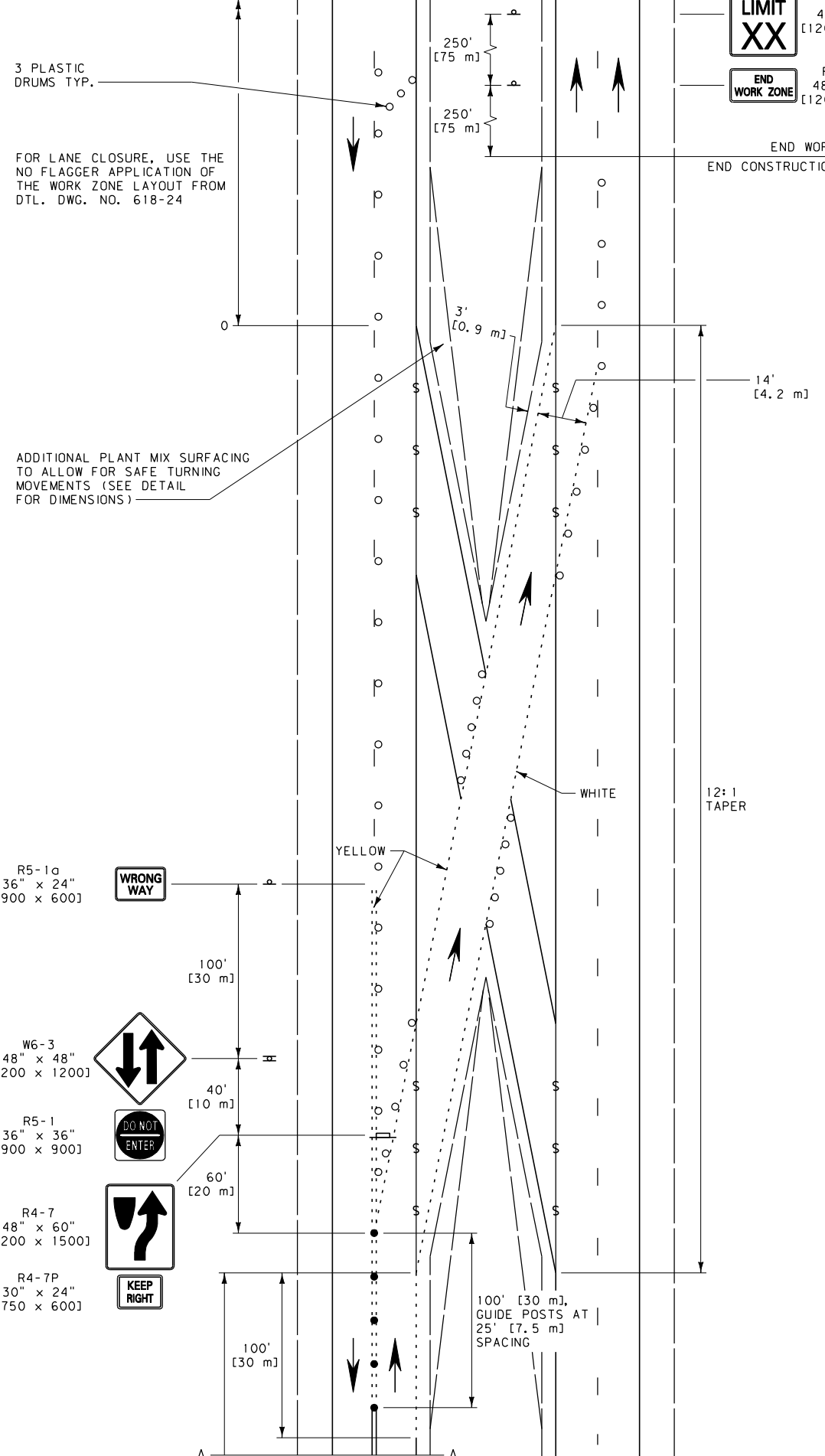
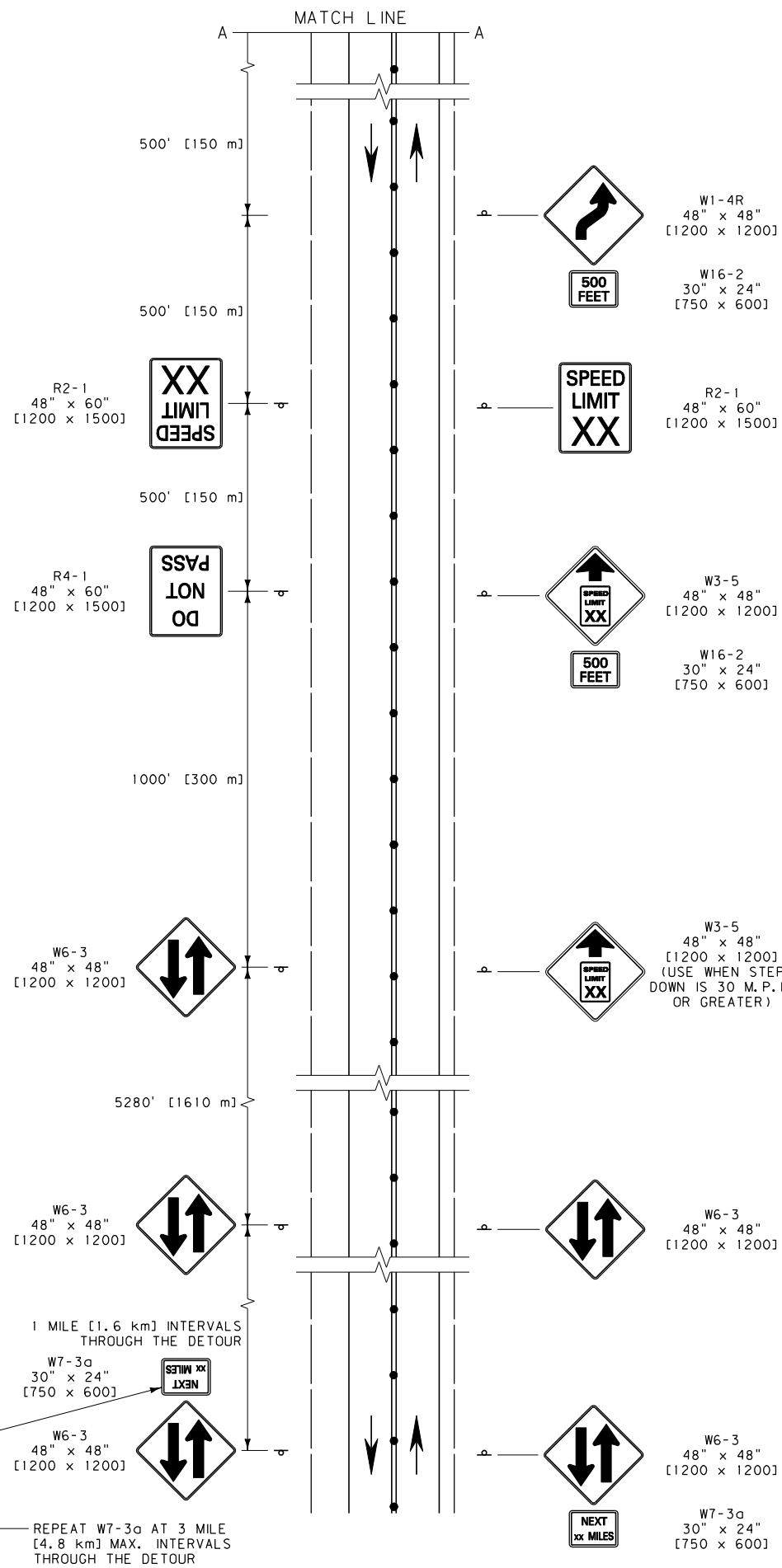


UNITS SHOWN IN BRACKETS [ ] ARE METRIC AND ARE IN MILLIMETERS (mm) UNLESS OTHER UNITS ARE SHOWN.

DETAILED DRAWING  
REFERENCE DWG. NO.  
STANDARD SPEC. 618-30  
SECTION 618

TEMPORARY  
FOUR-LANE TO TWO-LANE  
MEDIAN CROSSOVER

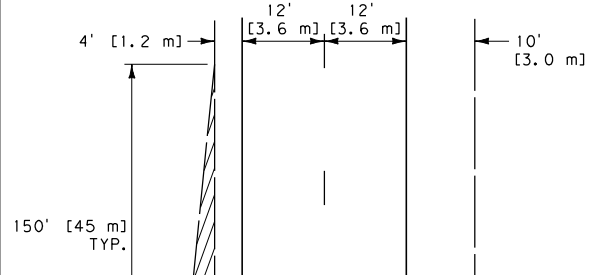
--REVISED--  
September 2010  
EFFECTIVE: APRIL 2006  
**MDT** MONTANA DEPARTMENT OF TRANSPORTATION



**SPEED LIMIT XX**  
R2-1  
48" x 60"  
[1200 x 1500]

**END WORK ZONE**  
R97-2\*  
48" x 24"  
[1200 x 600]

EXISTING NORMAL POSTED SPEED LIMIT(S)  
⑨



ADDITIONAL PLANT MIX SURFACING FOR SAFE TURNING MOVEMENTS

ADDITIONAL SURFACING DETAIL

LEGEND

- OBLITERATE CONFLICTING PAVEMENT MARKINGS AND FILL ANY EXISTING RUMBLE STRIPS WITH PMS
- PLASTIC DRUMS (SEE NOTES FOR SPACING)
- - - - - RAISED RIGID PAVEMENT MARKERS TYPE I (WHITE) OR TYPE II (YELLOW) AT 5' [1.5 m] SPACING
- ==== DOUBLE YELLOW PAINT OR DOUBLE PLASTIC PAVEMENT MARKING TABS AT 5' [1.5 m] SPACING
- FLEXIBLE GLUE-DOWN GUIDE POSTS ON TWO-LANE (SEE NOTES FOR SPACING EXCEPT AS SHOWN)

- NOTES:
- INCLUDE REGULATORY SIGNING ONLY AS REQUIRED. REMOVE OR COVER REGULATORY SIGNS TO MATCH ADJACENT REGULATIONS.
  - THE WORK ZONE REFERS TO THE AREA WITHIN THE CONSTRUCTION PROJECT WHERE WORK IS ACTUALLY TAKING PLACE.
  - XX = SPEED DETERMINED BY THE MEDIAN CROSSOVER DESIGN SPEED OR THE PROJECT MANAGER.
  - SEE DTL. DWG. NO. 618-30 FOR TYPICAL CROSSOVER SECTION DIMENSIONS.
  - INDICATED SPACINGS ARE INTENDED TO BE A MAXIMUM AND MAY BE REDUCED IF CONDITIONS WARRANT.
  - SPACE CHANNELIZING DEVICES ON TANGENTS AT INTERVALS IN FEET [METERS] OF NO MORE THAN TWO [0.6] TIMES THE SPEED LIMIT IN M.P.H. AND ON ALL TAPER SECTIONS AT INTERVALS IN FEET [METERS] OF NO MORE THAN ONE [0.3] TIMES THE SPEED LIMIT IN M.P.H. FOR SPEED LIMITS LESS THAN 35 M.P.H., SPACE CHANNELIZING DEVICES AS DIRECTED BY THE PROJECT MANAGER.
  - OBLITERATE ALL PAVEMENT MARKINGS THAT CONFLICT AT ANY TIME DURING OR AFTER MEDIAN CROSSOVER USE.
  - POST THE END OF WORK ZONE SPEED LIMIT APPROPRIATE FOR ALL VEHICLES FOR THE REMAINDER OF THE CONSTRUCTION PROJECT BEFORE RESUMING TO NORMAL POSTED SPEED LIMITS AT THE END OF THE CONSTRUCTION PROJECT.
  - WHEN AT THE END OF A CONSTRUCTION PROJECT, POST THE SPEED LIMIT CONSISTING OF ONE LIMIT WHEN THE NORMAL POSTED SPEED LIMIT FOR ALL VEHICLES IS THE SAME. WHEN CAR AND TRUCK SPEED LIMITS DIFFER, POST BOTH LIMITS ON A SINGLE SIGN.

DETAILED DRAWING  
REFERENCE DWG. NO.  
STANDARD SPEC. 618-32  
SECTION 618

TEMPORARY  
TWO-LANE TO FOUR-LANE  
MEDIAN CROSSOVER

--REVISED--  
September 2010  
EFFECTIVE: APRIL 2006  
**MDT** MONTANA DEPARTMENT OF TRANSPORTATION

UNITS SHOWN IN BRACKETS [ ] ARE METRIC AND ARE IN MILLIMETERS (mm) UNLESS OTHER UNITS ARE SHOWN.