

WIRE SPACING TABLE

COMBINATION WOVEN WIRE & BARBED WIRE FENCE			BARBED WIRE FENCE				WILDLIFE-FRIENDLY FARM FENCE
1200 FENCE HEIGHT		1280 FENCE HEIGHT	1.2 m FENCE HEIGHT				1.2 m FENCE HEIGHT
813 WW-2 BW *	813 WW-3 BW *	990 WW-2 BW *	3 BW	4 BW	5 BW	6 BW	
TYPE F2-813WW	TYPE F3-813WW	TYPE F2-990WW	TYPE F3	TYPE F4	TYPE F5	TYPE F6	
APPROXIMATE WEIGHT OF 813 mm WOVEN WIRE FABRIC (832-6-12.5) PER 100 m ROD ROLL IS 68 kg ± 5 kg (NOTE: 12.5 GAGE) ◦ DENOTES STAPLE LOCATIONS			APPROXIMATE WEIGHT OF 990 WOVEN WIRE FABRIC (939-6-12.5) PER 100 m ROLL IS 77 kg ± 5 kg. (NOTE: 12.5 GAGE)				

* OTHER WOVEN WIRE HEIGHTS AND NUMBER OF BARBED WIRE COMBINATIONS ARE AVAILABLE.

STAYS

1. USE WIRE STAYS ON ALL FENCES UNLESS WOOD STAYS ARE SPECIFIED.
2. LOCATE STAYS HALFWAY BETWEEN LINE POSTS.
3. WIRE STAYS FOR BARBED WIRE FENCING ARE 50 mm LONGER THAN THE DISTANCE BETWEEN THE TOP AND BOTTOM WIRES.
4. FOR WOVEN WIRE FENCING WITH BARBED WIRE ON TOP, EXTEND WIRE STAYS 150 mm MINIMUM BELOW THE TOP OF THE WOVEN WIRE.
5. WHEN WOOD STAYS ARE SPECIFIED, USE EITHER 50 mm ROUND, A ROUGH DIMENSION 50 mm x 50 mm, OR A 37.5 mm x 87.5 mm (NOMINAL 50 mm x 100 mm). THE STAY MUST BE OF SUFFICIENT LENGTH TO BE PLACED ON THE GROUND WITH THE TOP OF THE STAY EXTENDING 50 mm ABOVE THE TOP WIRE. ATTACH EACH WIRE TO THE WOOD STAYS USING 44 mm x 9 GAGE STAPLES. WOOD STAYS DO NOT NEED TO BE TREATED.

NOTES:

- "M" DENOTES METAL POSTS, EG. TYPE F3M.
- "W" DENOTES WOOD POSTS, EG. TYPE F4W.
- SEE DTL. DWG. NO. 607-05 FOR SINGLE AND DOUBLE PANEL DETAILS.
- SEE DTL. DWG. NO. 607-10 FOR ADDITIONAL FENCING DETAILS.
- SEE THE STANDARD SPECIFICATIONS FOR POST REQUIREMENTS.

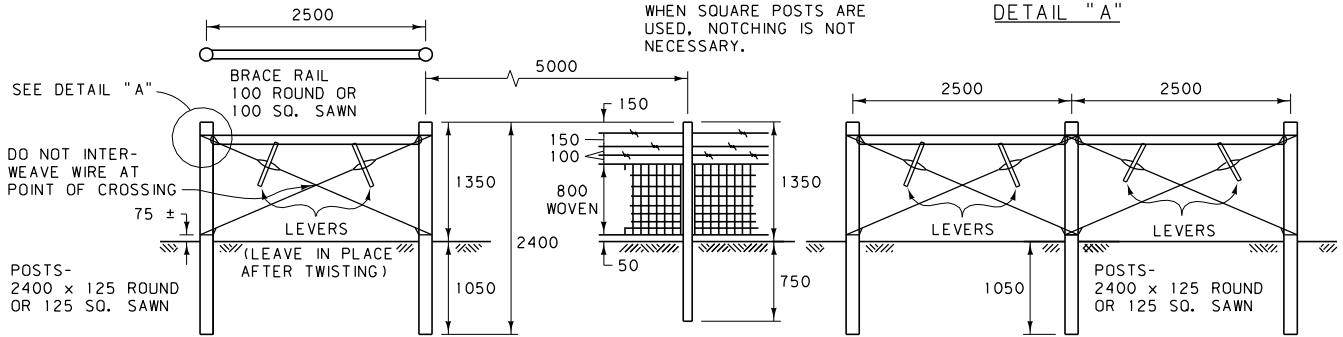
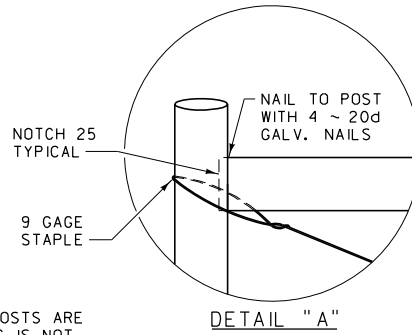
ALL DIMENSIONS ARE MILLIMETERS (mm) UNLESS OTHERWISE NOTED.

DETAILED DRAWING	
REFERENCE STANDARD SPEC. SECTION 607	DWG. NO. 607-00
FARM FENCE	
EFFECTIVE: FEBRUARY 2005	
MONTANA DEPARTMENT OF TRANSPORTATION serving you with pride	

-- REVISED --
January 2008

BRACE WIRES - ONE CONTINUOUS 9 OR 12.5 GAGE SMOOTH WIRE DOUBLED TO FORM A FOUR WIRE BRACE. TIE THE TWO ENDS NEAR THE TOP OF THE PANEL POSTS.

LEVERS - 37.5 x 50 x 300 MINIMUM SIZE.

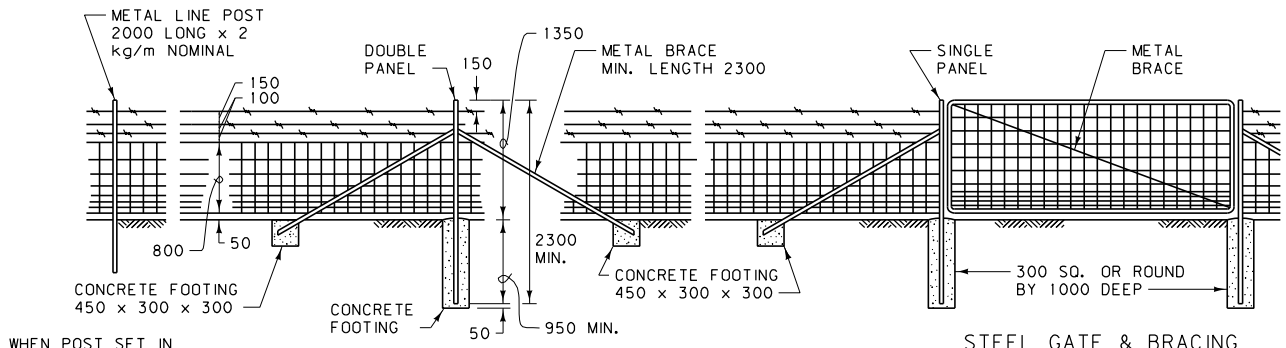


FOR PULLING, STRETCHING, CHANGES IN VERTICAL ALIGNMENT OR PANELS ON A RUN OF LESS THAN 100 m.

2100 x 100 MIN. ROUND OR 100 x 100 SQ. SAWN

FOR CORNERS, PULLING OR STRETCHING, AND CHANGES IN HORIZONTAL ALIGNMENT.

TYPE "CW" - "STRAIGHT RUN" FENCE WITH WOOD POSTS



WHEN POST SET IN SOLID ROCK, PROVIDE 450 MIN. BURIAL.

TYPE "CM" - FENCE WITH STEEL POSTS

STEEL GATE & BRACING

NOTES:

SEE THE STANDARD SPECIFICATIONS FOR POST AND GATE REQUIREMENTS.

PLACE ALL FENCE WIRE ON PASTURE SIDE OF POST, EXCEPT ON CURVES. THEN, PLACE THE WIRE ON THE OUTSIDE OF THE CURVE.

IN AREAS SUBJECT TO HIGH VELOCITY WINDS AND MOVING DEBRIS, WIRES MAY BE PLACED ON WINDWARD SIDE OF POSTS, EXCEPT ON CURVES.

ALL CONCRETE IS CLASS "F" OR BETTER.

POST SPACING IS GENERALLY MEASURED PARALLEL TO GROUND.

LINE POST SPACING IS 5000 mm CENTER TO CENTER. LINE POST SPACING FROM BRACE OR PANEL POST IS 5000 mm CENTER TO CENTER.

PLACE 600 mm WIRE STAY HALFWAY BETWEEN POSTS. DO NOT PLACE STAYS ON PANELS FOR "CM" AND "CW" FENCE.

TYPE "CW" FENCE HAS ONE METAL POST IN PLACE OF A WOODEN LINE POST IN EACH 150 m RUN FOR LIGHTNING PROTECTION.

USE TYPE "CW" (WOOD) PANELS ON ALL TYPE "CM" (METAL) FENCES INSTEAD OF STEEL PANELS UNLESS OTHERWISE SPECIFIED.

SET STEEL CORNER, END, GATE AND PULL POSTS, AND EACH BRACE IN CONCRETE AS SHOWN.

SEE DTL. DWG. NO. 607-10 FOR ADDITIONAL FENCING DETAILS.

A DEADMAN MAY BE A PRECAST CONCRETE BLOCK, A CAST IN PLACE CONCRETE BLOCK, A ROCK OR OTHER APPROVED OBJECT WEIGHING AT LEAST 70 kg. BURY THE DEADMAN IN THE GROUND WITH AT LEAST 600 mm OF COVER. ATTACH THE DEADMAN TO THE FENCE WITH 3 STRANDS OF 9 GAGE WIRE OR 6 STRANDS OF 12.5 GAGE WIRE. SEE DETAILED DRAWING NO. 607-10 FOR ALTERNATE DEADMAN.

STAPLE THE BOTTOM, TOP, CENTER AND ALTERNATE WIRES OF WOVEN WIRE TO WOOD LINE POSTS.

TIE THE BOTTOM, TOP, CENTER AND ALTERNATE WIRES OF WOVEN WIRE TO STEEL LINE POSTS.

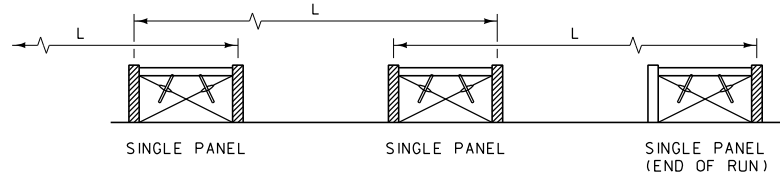
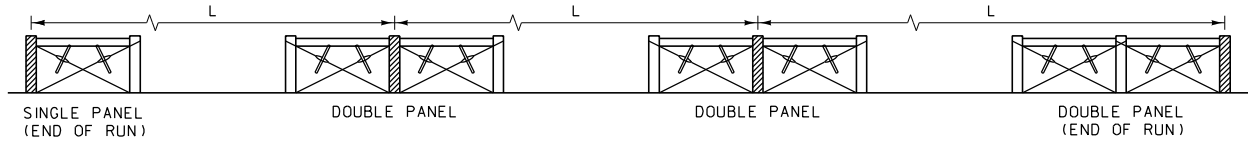
STAPLE ALL WIRES OF WOVEN WIRE TO WOOD CORNER POSTS OR POST USED TO TIE-OFF WIRE.

DETAILED DRAWING	
REFERENCE STANDARD SPEC. SECTION 607	DWG. NO. 607-05

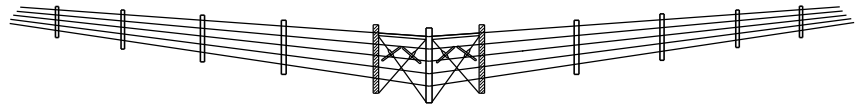
INTERSTATE FENCE

EFFECTIVE: FEBRUARY 2005

ALL DIMENSIONS ARE MILLIMETERS (mm) UNLESS OTHERWISE NOTED.



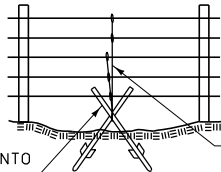
FENCE TYPE	RUN = L (m)	PANELS REQUIRED
COMBINATION WOVEN BARBED	LESS THAN 10	NONE
	10 - 100	SINGLE
	OVER 100 TO 200 MAX.	DOUBLE
BARBED	LESS THAN 20	NONE
	20 - 200	SINGLE
	OVER 200 TO 300 MAX.	DOUBLE



DOUBLE PANEL AT FENCE
CORNER OR ANGLE BREAK

FENCE PANEL TYPES

NOTE:
TIE OFF ON ALL CROSS HATCHED OR SHADED
POSTS.



METAL LINE POSTS DRIVEN INTO
GROUND AT LEAST 900 mm

THREE STRANDS OF
9 GAGE WIRE TIED
AROUND ALL WIRES
AND AROUND THE
JUNCTION OF THE
METAL POSTS

ALTERNATE DEADMAN

WHEN APPROVED BY THE ENGINEER THE ABOVE DEADMAN
MAY BE USED IN LIEU OF A ROCK OR PRECAST CONCRETE
BLOCK AS SPECIFIED ON DTL. DWG. NO. 607-05.

NOTES:

ATTACH BARBED WIRES TO POSTS BY WRAPPING AROUND THE POST AT LEAST TWO TIMES,
THEN WRAPPING AROUND ITSELF FIVE TIMES.

TO ATTACH WOVEN WIRE TO AN END POST, REMOVE TWO OR THREE VERTICAL STAY WIRES
FROM THE END OF THE FENCE. PLACE THE FIRST COMPLETE VERTICAL STAY WIRE AGAINST
THE POST. START AT THE MIDDLE OF THE HORIZONTAL LINE WIRES, WRAPPING AROUND
THE END POST AT LEAST TWO TIMES AND THEN WRAPPING AROUND ITSELF FIVE TIMES.

ALL DIMENSIONS ARE MILLIMETERS
(mm) UNLESS OTHERWISE NOTED.

DETAILED DRAWING	
REFERENCE STANDARD SPEC. SECTION 607	DWG. NO. 607-10

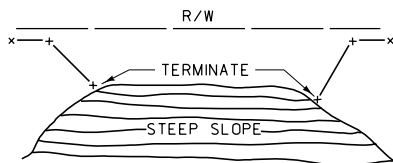
FENCING DETAILS

EFFECTIVE: FEBRUARY 2005

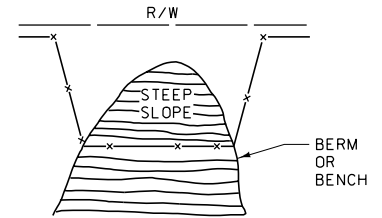
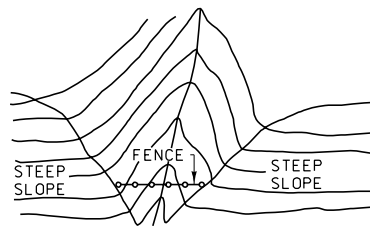


MONTANA DEPARTMENT
OF TRANSPORTATION

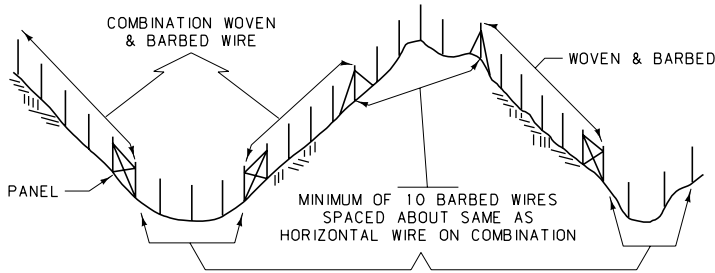
servicing you with pride



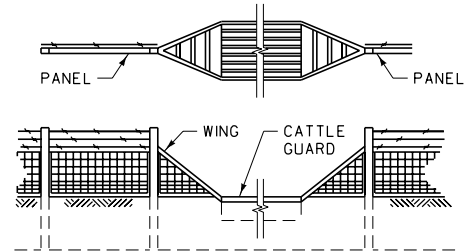
SLOPE MUST BE STEEP ENOUGH TO DETER
PASSAGE OF TRESPASSERS.



FENCE LAYOUT ON STEEP SLOPES



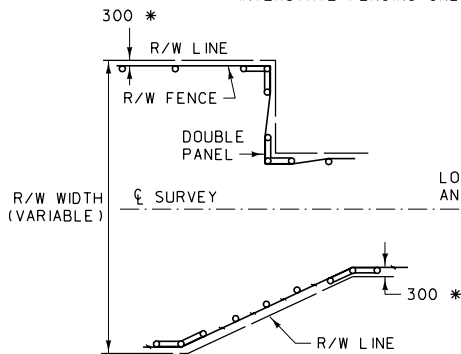
FENCE LAYOUT ON SHARP VERTICAL CURVES
TO AVOID TRYING TO CONFORM WOVEN WIRE TO UNEVEN TERRAIN



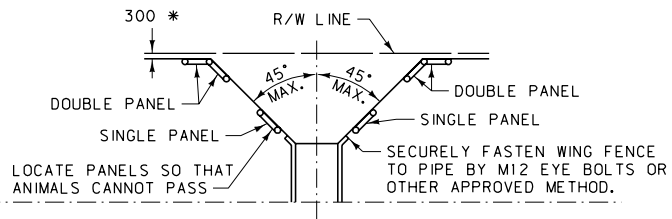
FENCE CONNECTION TO CATTLE GUARD

SECURELY FASTEN FENCE WIRE TO THE WINGS
AND ARRANGE SO THAT ANIMALS CANNOT PASS.

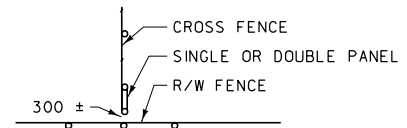
* 300 mm OFFSET APPLIES TO
INTERSTATE FENCING ONLY.



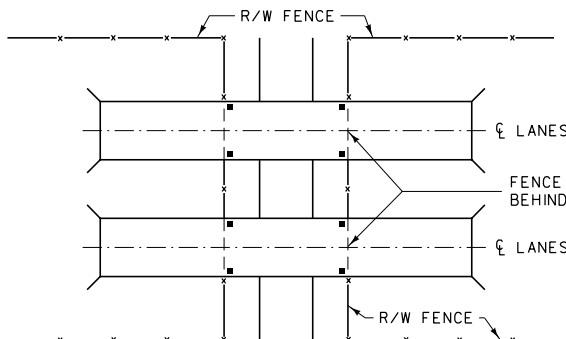
FENCE LAYOUT AT
CHANGE IN R/W WIDTH



FENCE LAYOUT AT STOCKPASS, BRIDGES AND LARGE PIPES



FENCE LAYOUT AT CROSS-FENCE CONNECTION



FENCE LAYOUT AT LOCAL ROAD
UNDER INTERSTATE

NOTES:

INSTALL NON-INTERSTATE FENCE ON THE
RIGHT-OF-WAY LINE.

DO NOT DAMAGE SURVEY MONUMENTS.

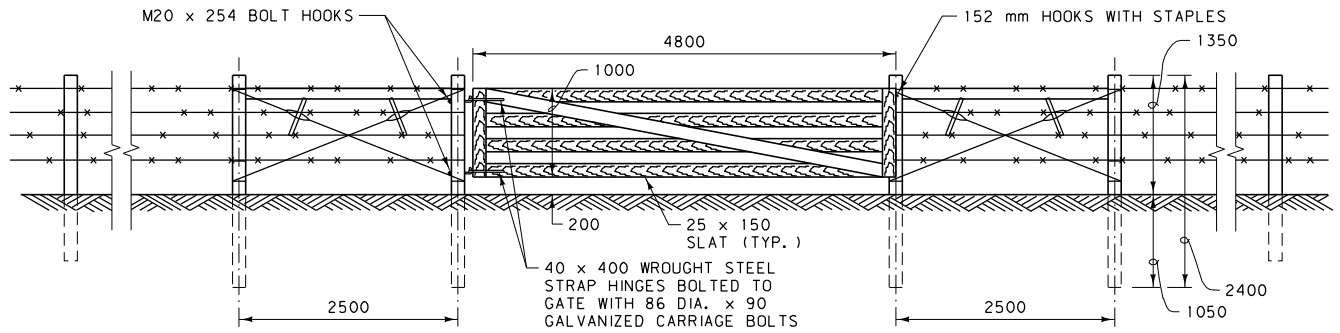
ALL DIMENSIONS ARE MILLIMETERS
(mm) UNLESS OTHERWISE NOTED.

DETAILED DRAWING	
REFERENCE STANDARD SPEC. SECTION 607	DWG. NO. 607-15

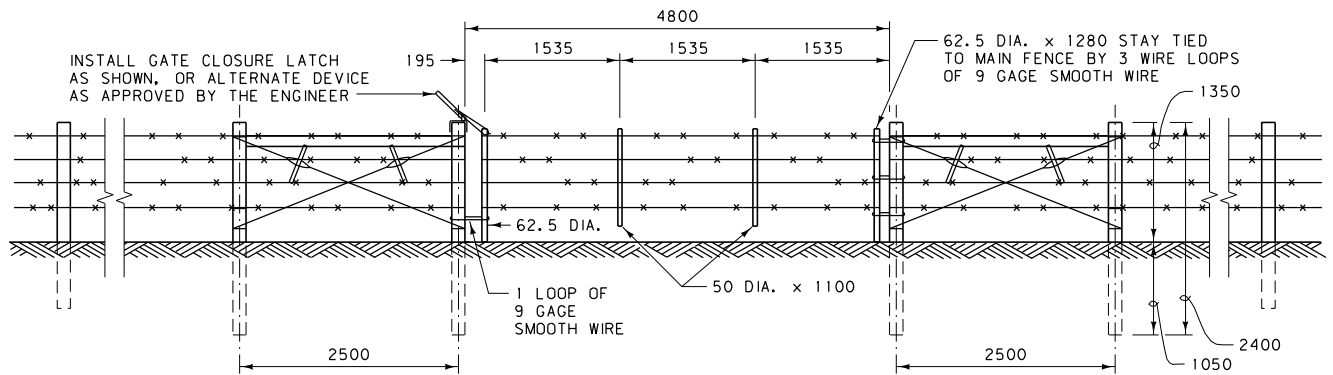
FENCING DETAILS

--REVISED--
October 2008

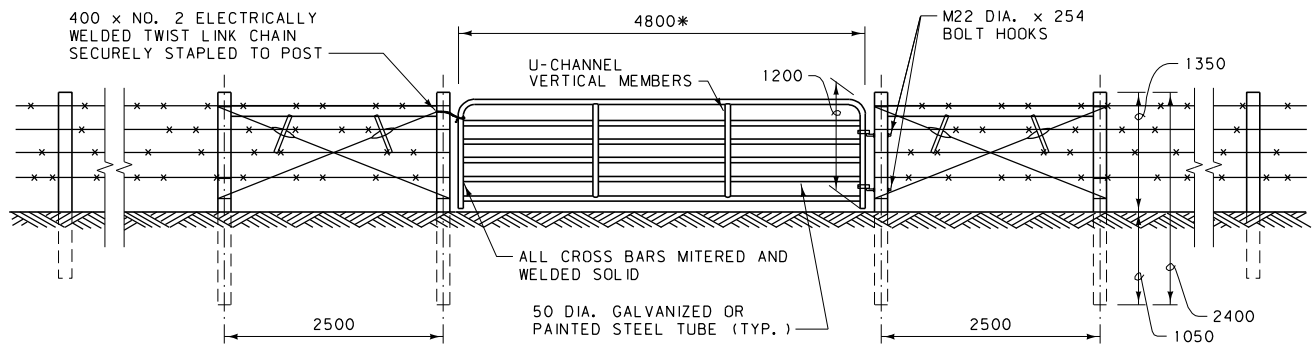
EFFECTIVE: FEBRUARY 2005



WOOD FARM ENTRANCE GATE (TYPE G-1)
 NOTE: USE 10d NAILS AND CLINCH FOR GATE CONSTRUCTION.



WIRE FARM ENTRANCE GATE (TYPE G-2)
 NOTE: USE SAME WIRE SCHEME ON GATE AS THAT USED ON FENCE, UNLESS STATED OTHERWISE IN R/W AGREEMENT.



METAL FARM ENTRANCE GATE (TYPE G-3)


NOTES:

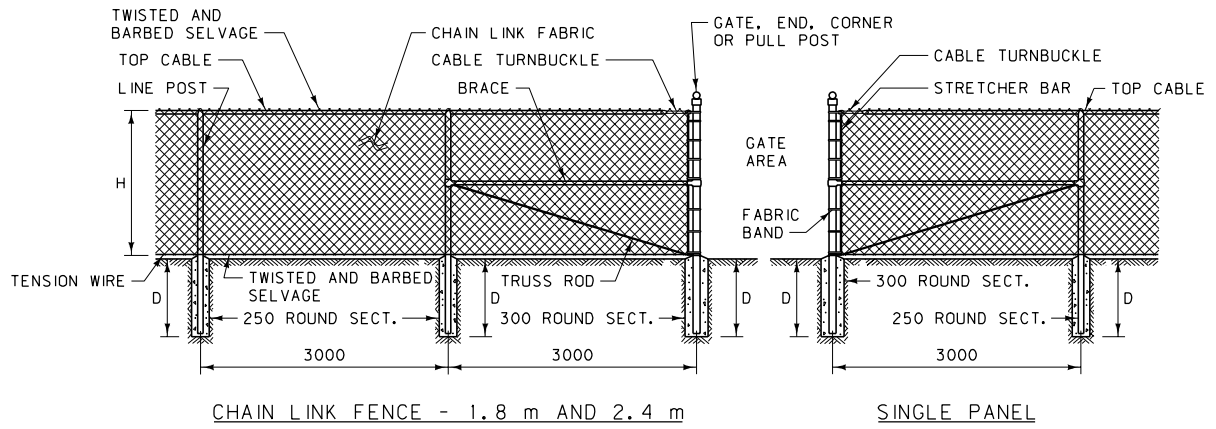
ALL GATES ARE 4800 mm WIDE UNLESS R/W AGREEMENT STATES OTHERWISE.

ALL GATES WILL HAVE A SINGLE OR DOUBLE PANEL AT EACH END.

* TYPE G-3 GATES ARE AVAILABLE IN WIDTHS FROM 1.2 m TO 6.0 m IN 0.6 m INCREMENTS.

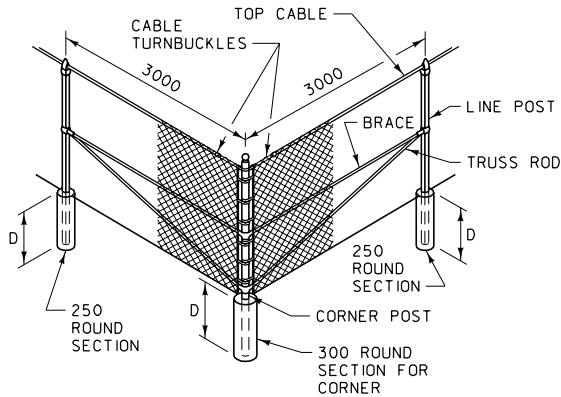
ALL DIMENSIONS ARE MILLIMETERS (mm) UNLESS OTHERWISE NOTED.

DETAILED DRAWING	
REFERENCE STANDARD SPEC. SECTION 607	DWG. NO. 607-20
FARM ENTRANCE GATES	
EFFECTIVE: FEBRUARY 2005	
 MONTANA DEPARTMENT OF TRANSPORTATION <i>servicing you with pride</i>	



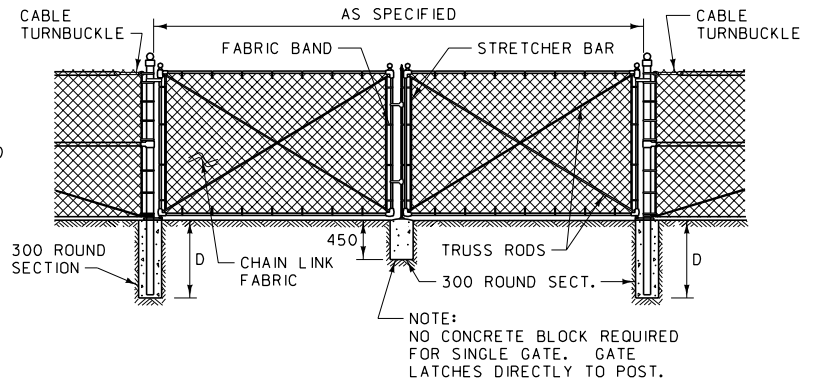
CHAIN LINK FENCE - 1.8 m AND 2.4 m

SINGLE PANEL

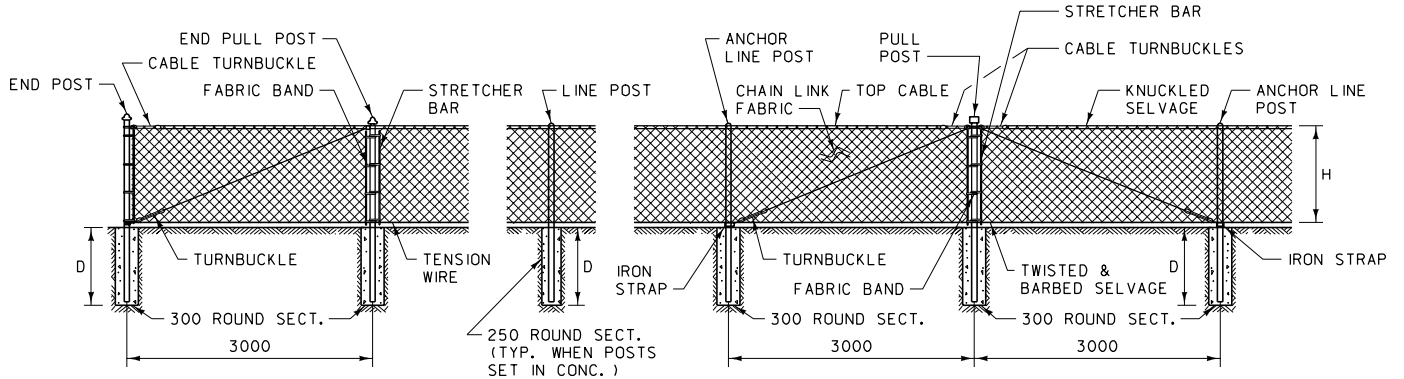


DOUBLE PANEL

PULL POST AND CORNER POST BRACING



GATES



CHAIN LINK FENCE - 0.9 m, 1.2 m AND 1.5 m

NOTES:

SEE THE STANDARD SPECIFICATIONS FOR FURTHER REQUIREMENTS.

DO NOT INSTALL DOUBLE PANELS MORE THAN 90 m APART ON TANGENTS OR MORE THAN 75 m APART ON ANY CURVE. FOR CURVES WITH RADII SHARPER THAN 350 m, INSTALL A DOUBLE PANEL ON EACH CURVE END, PLUS ONE ADDITIONAL PANEL FOR EACH 10° OF DEFLECTION, EVENLY SPACED, BETWEEN THE CURVE ENDS.

PULL POST BRACING ON 1.8 m AND 2.4 m FENCE IS THE SAME AS CORNER BRACING.

A DROP BAR LOCKING DEVICE IS REQUIRED FOR ALL DOUBLE GATE INSTALLATIONS. THE DROP BAR MUST BE ABLE TO BE INSERTED INTO THE CONCRETE BLOCK AT LEAST 150 mm.

ALL CONCRETE IS CLASS "F" OR BETTER.

INSTALL A 10 mm DIAMETER GALVANIZED STEEL TOP CABLE ALONG ALL FENCE. TERMINATE TOP CABLE WITH GALVANIZED CABLE TURNBUCKLES FASTENED VIA THE FABRIC BAND AT THE POST.

ALL DIMENSIONS ARE MILLIMETERS (mm) UNLESS OTHERWISE NOTED.

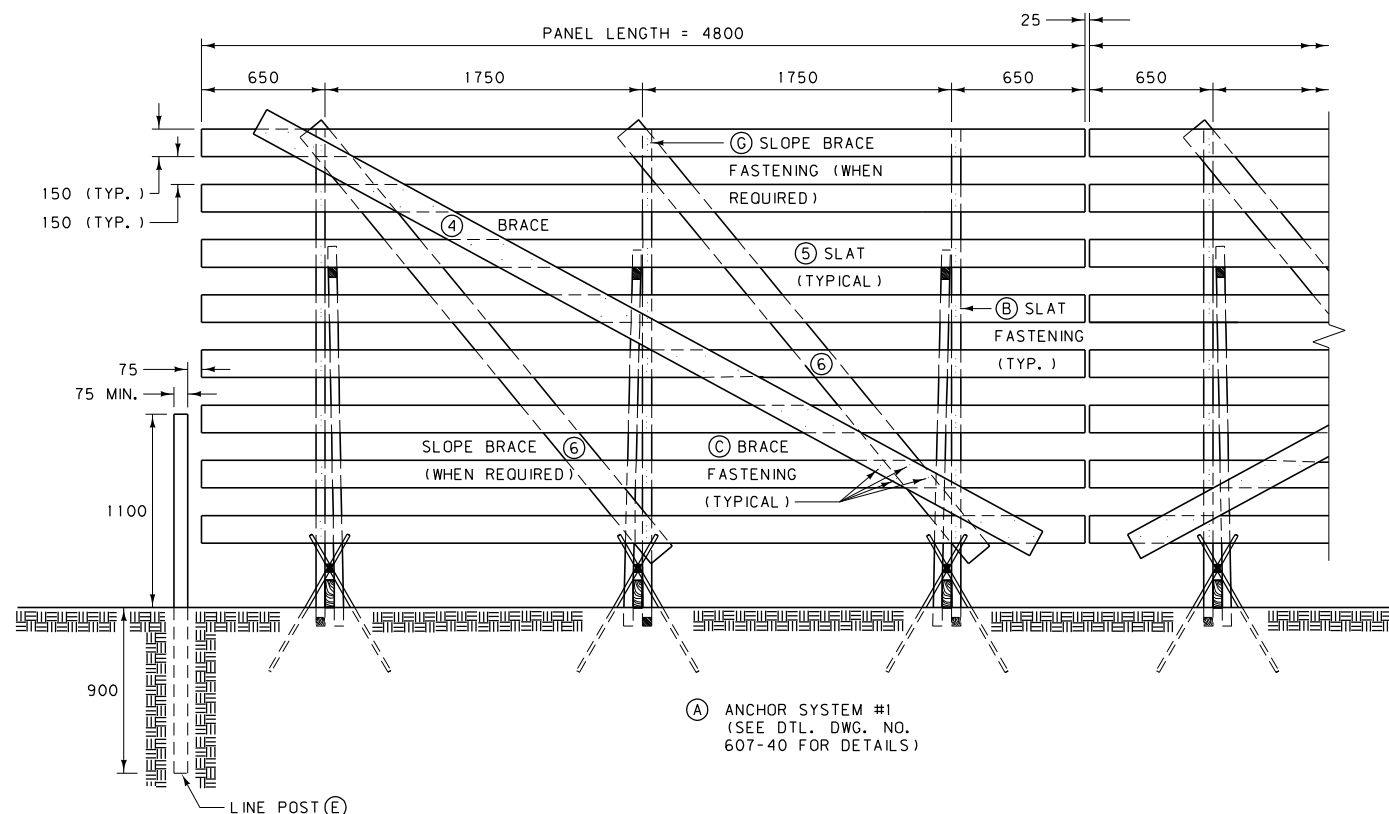
HEIGHT OF FABRIC, H	WIRE FABRIC ABOVE GROUND	DEPTH OF CONCRETE, D	DEPTH OF POST IN CONC. (MIN.)
2440	25 TO 50	1050	950
1830	25 TO 50	900	800
1525	25 TO 50	900	800
1220	25 TO 50	750	650
915	25 TO 50	750	650

DETAILED DRAWING	
REFERENCE STANDARD SPEC. SECTION 607	DWG. NO. 607-25

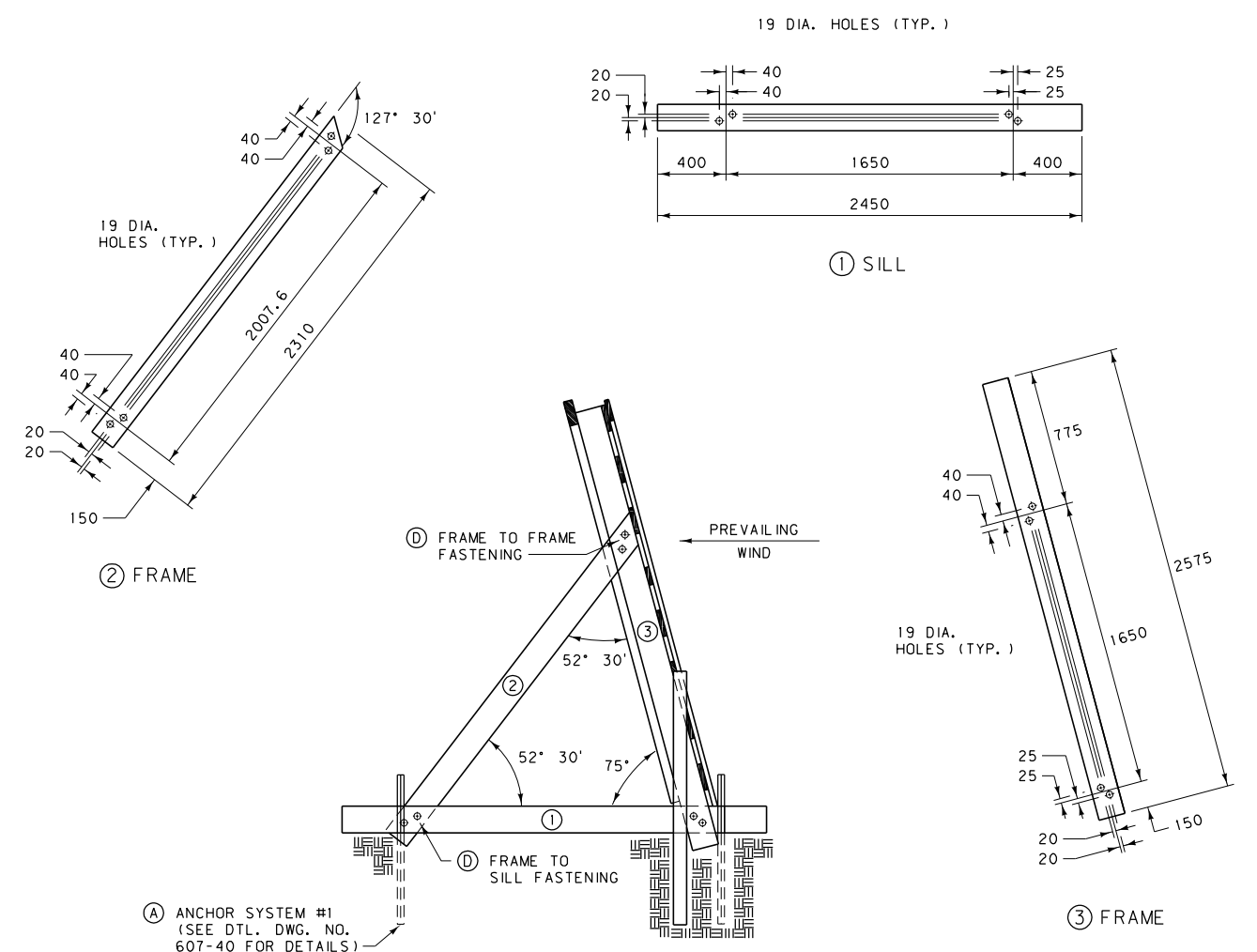
CHAIN LINK FENCE

--REVISED--
May 2009

EFFECTIVE: APRIL 2006



FRONT VIEW



END VIEW

GENERAL NOTES

- (A) ANCHOR SYSTEM DETAIL
USE ANCHOR SYSTEM #1 UNLESS SOIL AND MOISTURE CONDITIONS NECESSITATE THE USE OF AN ALTERNATE SYSTEM, OR AS DIRECTED BY THE ENGINEER. CONSULT DETAILED DRAWING NUMBERS 607-40 AND 607-45 FOR ANCHOR SYSTEMS #3 (ROCKY CONDITIONS) AND #2 (SWAMPY CONDITIONS).
- (B) SLAT FASTENING
FASTEN SLATS TO THE FRAME WITH 3 ~ 12d COMMON BARBED SHANK NAILS AT EACH LOCATION.
- (C) BRACE FASTENING
FASTEN BRACES TO THE FRAME WITH 4 ~ 8d COMMON NAILS AT EACH LOCATION AND CLINCH.
- (D) FRAME TO SILL AND FRAME TO FRAME FASTENING
FASTEN THE SILL AND FRAME MEMBERS TO THE FRAME AT EACH LOCATION WITH 2 ~ M16 x 127 mm STANDARD MACHINE BOLTS, EACH WITH HEX NUT AND TWO FLAT WASHERS. SEE NOTE (X) AT RIGHT.
- (E) LINE POSTS
PLACE LINE POSTS AT EACH END OF EACH LINE OF SNOW FENCE AS SHOWN. POSTS ARE 2000 mm LONG WITH A MINIMUM DIAMETER OF 75 mm AND A MAXIMUM DIAMETER OF 150 mm. BUTT TREAT 900 mm MINIMUM.
- (F) WIRE TIE
USE 12 GAGE OR HEAVIER GALVANIZED WIRE TO FORM THE WIRE TIES.
- (G) SLOPE BRACE FASTENING
FASTEN SLOPE BRACES WITH 3 ~ 16d COMMON BARBED SHANK NAILS AT EACH LOCATION.

LUMBER - 2.4 m SNOW FENCE W/ ANCHOR SYSTEM #1			
BILL OF MATERIALS FOR ONE PANEL			
ITEM NO.	NO. OF PIECES	LUMBER SIZE	DESCRIPTION
①*	3	50 x 150 x 2450	FRAME (SILL)
②*	3	50 x 150 x 2310	FRAME
③*	3	50 x 150 x 2575	FRAME
* NOTE: PRESSURE TREAT ALL 50 x 150 MEMBERS (ENTIRE FRAME)			
④	1	25 x 150 x 4800	BRACE
⑤	8	25 x 150 x 4800	SLAT
⑥**	2	50 x 150 x 3000	SLOPE BRACE
** NOTE: USE ONLY WHEN SLOPE IS 5:1 OR GREATER			

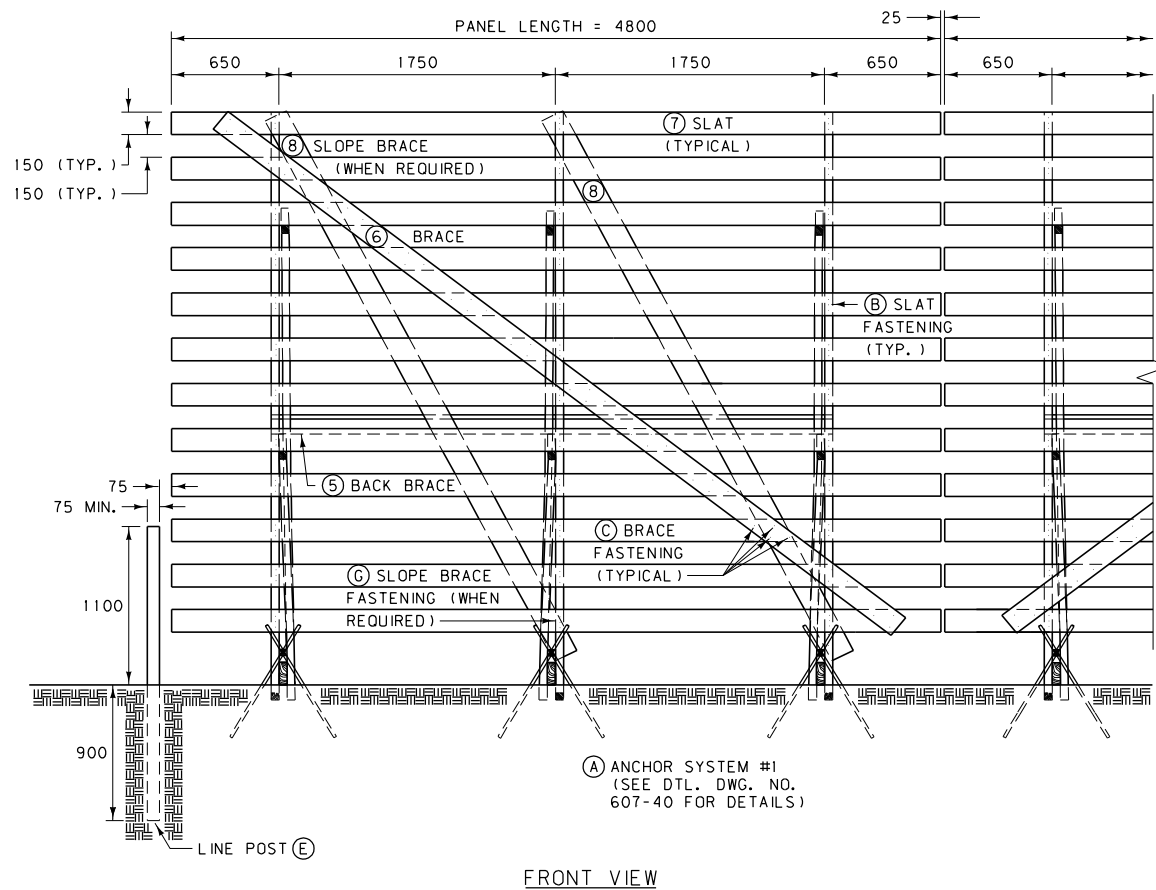
HARDWARE - 2.4 m SNOW FENCE W/ ANCHOR SYSTEM #1		
BILL OF MATERIALS FOR ONE PANEL		
QUANTITY	DESCRIPTION	
①	18	M16 x 127 HEX BOLT (THREADED FULL LENGTH) AND NUT
②	36	FLAT WASHER FOR M16 BOLT
③	0.50 kg	12d COMMON BARBED SHANK NAIL
④	12	#19 REBAR x 1500
⑤	6 PIECES	12 GAGE TIE WIRE x 1500 ±
⑥	0.15 kg	8d COMMON NAILS
⑦	0.11 kg	16d COMMON BARBED SHANK NAILS

ALL NAILS MAY BE EITHER HAND DRIVEN OR DRIVEN WITH A PNEUMATIC NAILER.

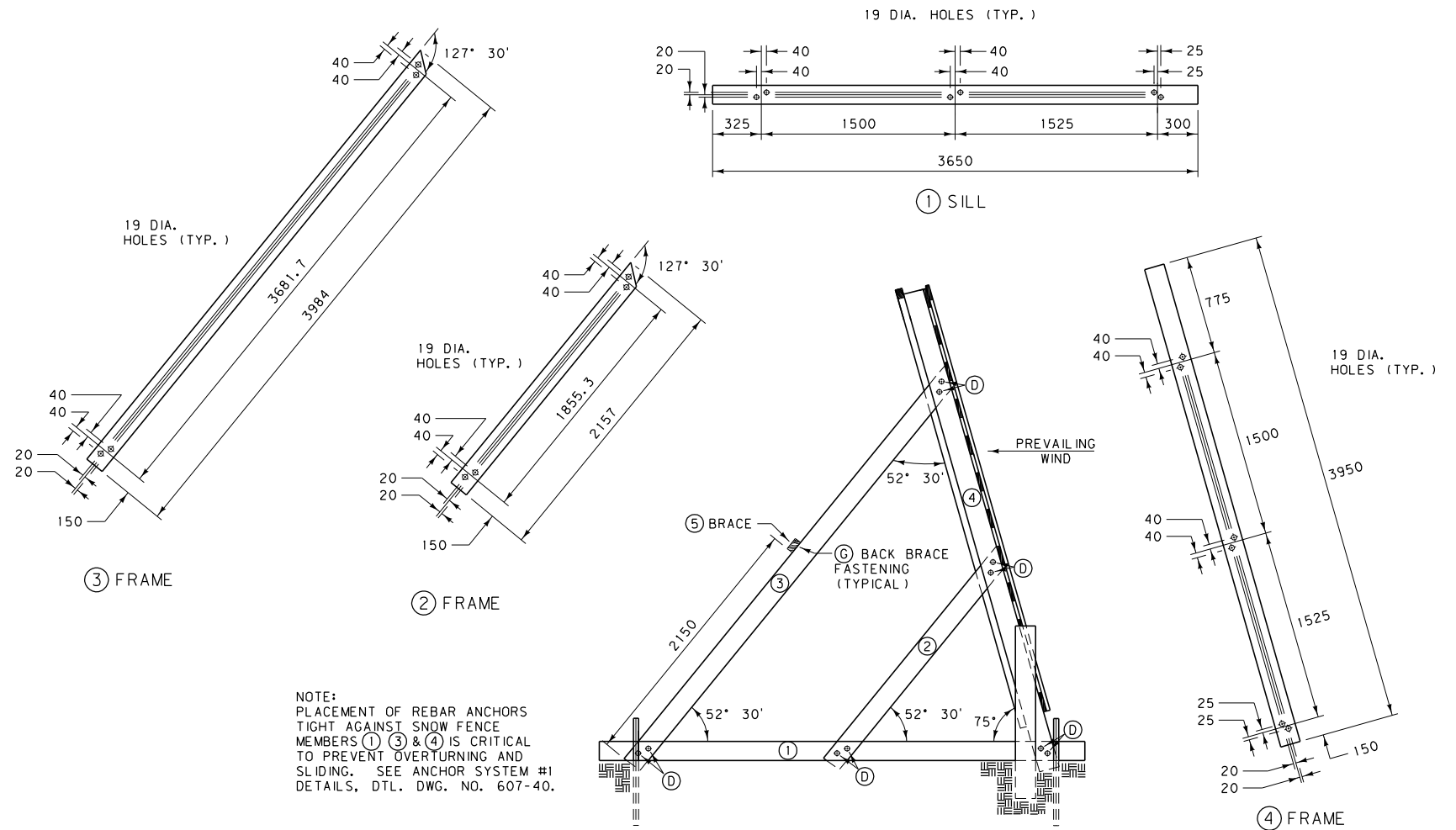
(X) NOTE:
AFTER M16 BOLTS HAVE BEEN TIGHTENED, BURR THE THREAD DIRECTLY BEHIND THE NUT TO PREVENT EVENTUAL LOOSENING OF THE NUTS.

ALL DIMENSIONS ARE MILLIMETERS (mm) UNLESS OTHERWISE NOTED.

DETAILED DRAWING	
REFERENCE STANDARD SPEC. SECTION 607	DWG. NO. 607-30
2.4 m WOOD SNOW FENCE W/ ANCHOR SYSTEM #1	
EFFECTIVE: FEBRUARY 2005	
MONTANA DEPARTMENT OF TRANSPORTATION <small>servicing you with pride</small>	



FRONT VIEW



END VIEW

GENERAL NOTES

- (A) ANCHOR SYSTEM DETAIL
USE ANCHOR SYSTEM #1 UNLESS SOIL AND MOISTURE CONDITIONS NECESSITATE THE USE OF AN ALTERNATE SYSTEM, OR AS DIRECTED BY THE ENGINEER. CONSULT DETAILED DRAWING NUMBERS 607-40 AND 607-45 FOR ANCHOR SYSTEMS #3 (ROCKY CONDITIONS) AND #2 (SWAMPY CONDITIONS).
- (B) SLAT FASTENING
FASTEN SLATS TO THE FRAME WITH 3 ~ 12d COMMON BARBED SHANK NAILS AT EACH LOCATION.
- (C) BRACE FASTENING
FASTEN BRACES TO THE FRAME WITH 4 ~ 8d COMMON NAILS AT EACH LOCATION AND CLINCH.
- (D) FRAME TO SILL AND FRAME TO FRAME FASTENING
FASTEN THE SILL AND FRAME MEMBERS TO THE FRAME AT EACH LOCATION WITH 2 ~ M16 x 127 mm STANDARD MACHINE BOLTS, EACH WITH HEX NUT AND TWO FLAT WASHERS. SEE NOTE (X) AT RIGHT.
- (E) LINE POSTS
PLACE LINE POSTS AT EACH END OF EACH LINE OF SNOW FENCE AS SHOWN. POSTS ARE 2000 mm LONG WITH A MINIMUM DIAMETER OF 75 mm AND A MAXIMUM DIAMETER OF 150 mm. BUTT TREAT 900 mm MINIMUM.
- (F) WIRE TIE
USE 12 GAGE OR HEAVIER GALVANIZED WIRE TO FORM THE WIRE TIES.
- (G) BACK & SLOPE BRACE FASTENING
FASTEN BACK BRACES TO THE FRAME WITH 2 ~ 16d NAILS, AND FASTEN THE SLOPE BRACES WITH 3 ~ 16d BARBED SHANK NAILS AT EACH LOCATION.

LUMBER - 3.6 m SNOW FENCE W/ ANCHOR SYSTEM #1			
BILL OF MATERIALS FOR ONE PANEL			
ITEM NO.	NO. OF PIECES	LUMBER SIZE	DESCRIPTION
①*	3	50 x 150 x 3650	SILL
②*	3	50 x 150 x 2157	FRAME
③*	3	50 x 150 x 3984	FRAME
④*	3	50 x 150 x 3950	FRAME
* NOTE: PRESSURE TREAT ALL 50 x 150 MEMBERS (ENTIRE FRAME)			
⑤	1	50 x 100 x 3650	BACK BRACE
⑥	1	25 x 150 x 5400	BRACE
⑦	12	25 x 150 x 4800	SLAT
⑧**	2	50 x 150 x 4000	SLOPE BRACE
** NOTE: USE ONLY WHEN SLOPE IS 5:1 OR GREATER			

HARDWARE - 3.6 m SNOW FENCE W/ ANCHOR SYSTEM #1	
BILL OF MATERIALS FOR ONE PANEL	
QUANTITY	DESCRIPTION
①	30 M16 x 127 HEX BOLT (THREADED FULL LENGTH) AND NUT
②	60 FLAT WASHER FOR M16 BOLT
③	0.23 kg 8d COMMON NAILS
④	0.76 kg 12d COMMON BARBED SHANK NAILS
⑤	0.23 kg 16d COMMON BARBED SHANK NAILS
⑥	12 #19 REBAR x 1500
⑦	6 PIECES 12 GAGE TIE WIRE x 1500 ±

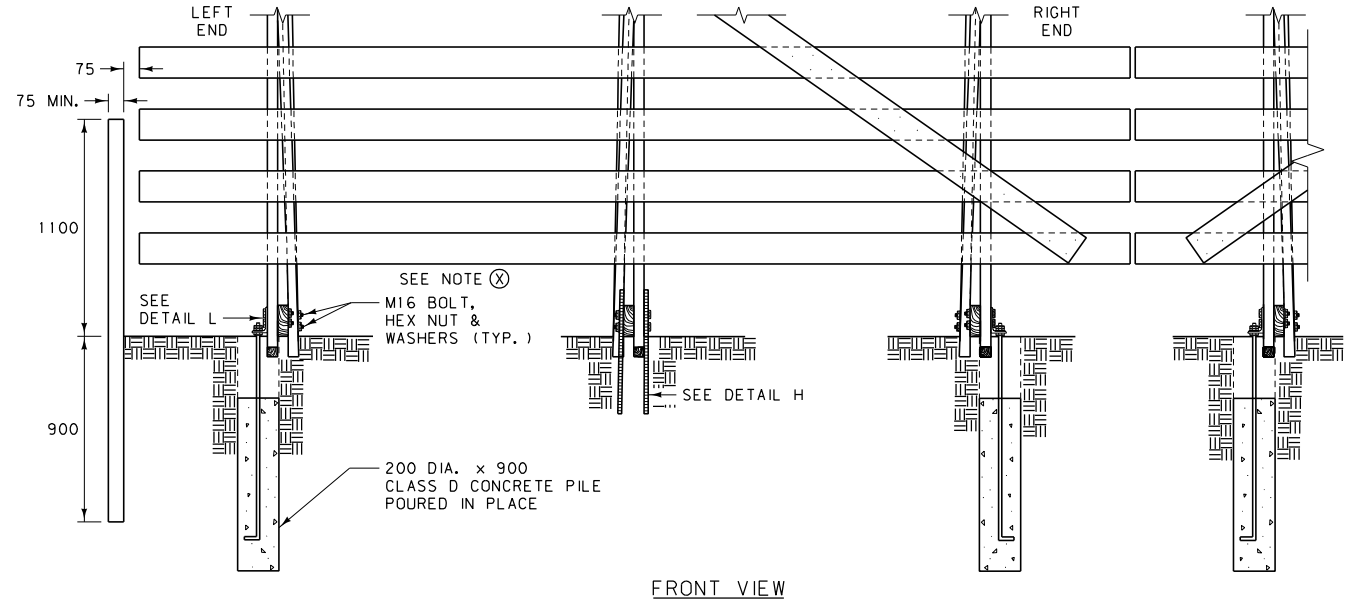
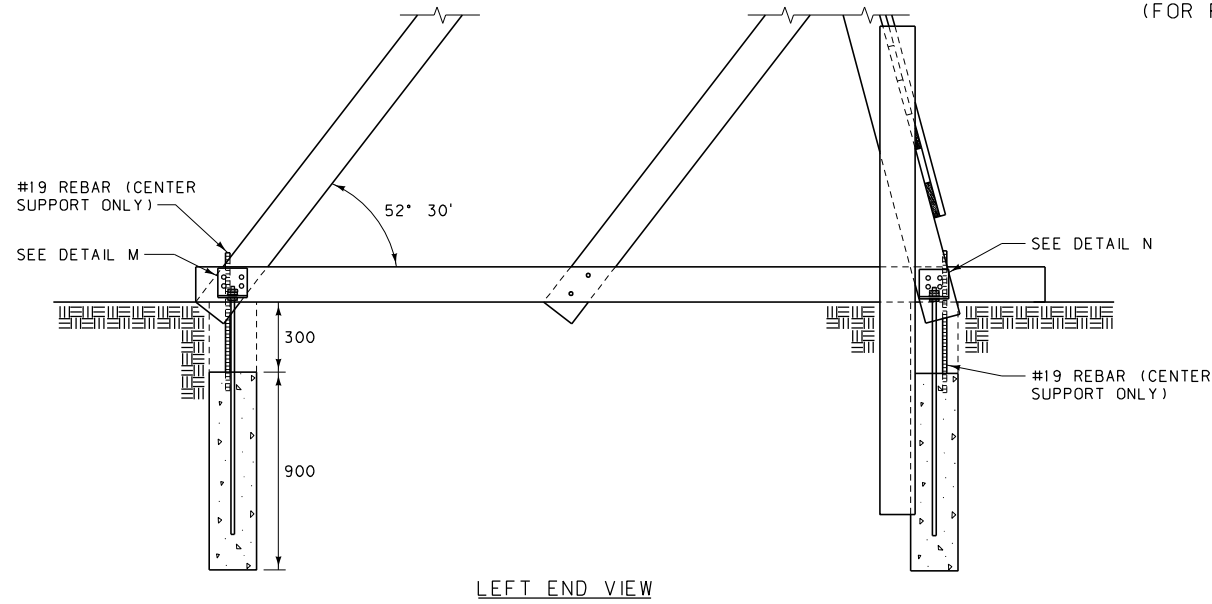
ALL NAILS MAY BE EITHER HAND DRIVEN OR DRIVEN WITH A PNEUMATIC NAILER.

(X) NOTE:
AFTER M16 BOLTS HAVE BEEN TIGHTENED, BURR THE THREAD DIRECTLY BEHIND THE NUT TO PREVENT EVENTUAL LOOSENING OF THE NUTS.

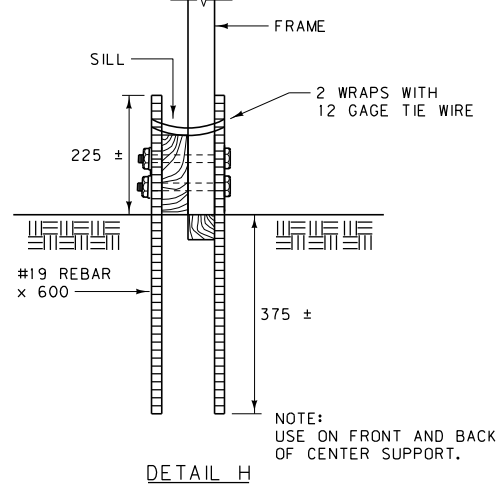
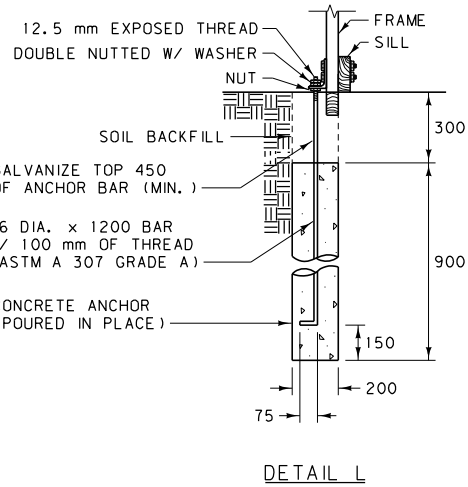
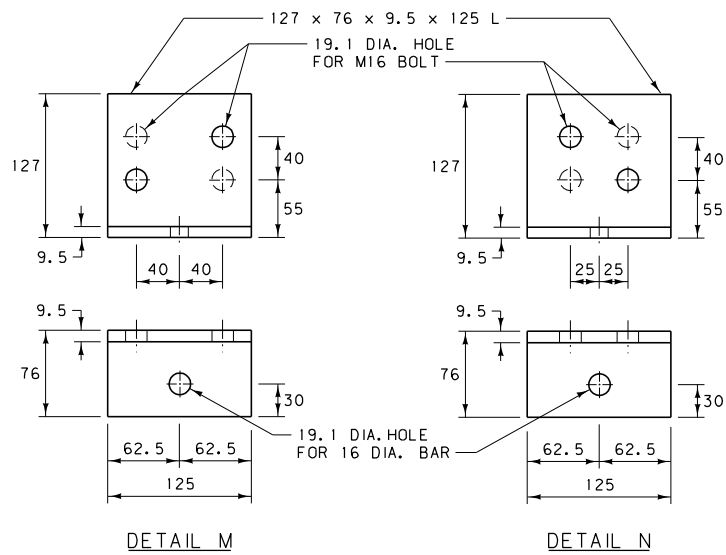
ALL DIMENSIONS ARE MILLIMETERS (mm) UNLESS OTHERWISE NOTED.

DETAILED DRAWING	
REFERENCE STANDARD SPEC. SECTION 607	DWG. NO. 607-35
3.6 m WOOD SNOW FENCE W/ ANCHOR SYSTEM #1	
EFFECTIVE: FEBRUARY 2005	
MONTANA DEPARTMENT OF TRANSPORTATION <small>serving you with pride</small>	

**ANCHOR SYSTEM #3
(FOR ROCKY CONDITIONS)**



NOTE:
HOLES SHOWN IN DETAILS BELOW ARE FOR LEFT END OF FENCE.
HOLES SHOWN HIDDEN ARE FOR RIGHT END OF FENCE.



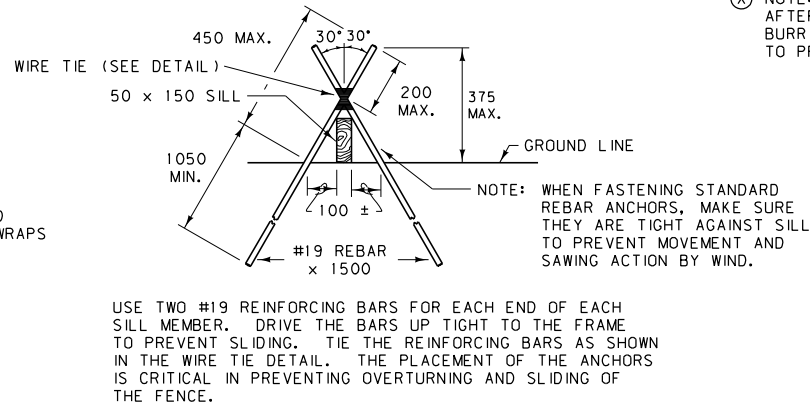
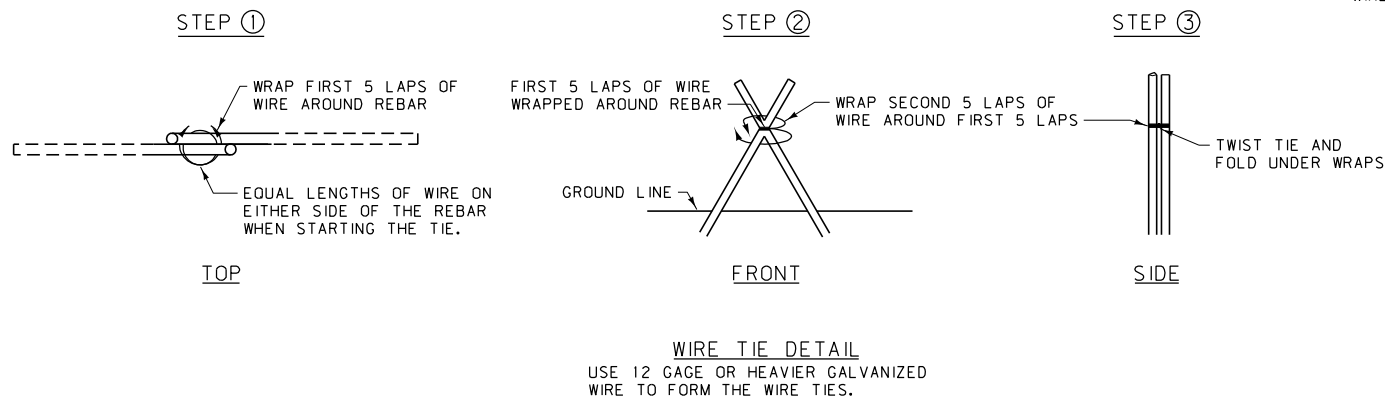
LUMBER - SNOW FENCE W/ ANCHOR SYSTEM #3	
BILL OF MATERIALS FOR ONE PANEL	
SAME AS FOR SNOW FENCE W/ ANCHOR SYSTEM #1	

HARDWARE - SNOW FENCE W/ ANCHOR SYSTEM #3	
BILL OF MATERIALS FOR ONE PANEL	
QUANTITY	DESCRIPTION
4	127 x 76 x 9.5 x 127.0 L
4	16 DIA. x 1200 BAR W/ 3 HEX NUTS
4	FLAT WASHERS FOR 16 DIA. BAR
0.113 m ³	CLASS D CONCRETE
4	#19 REBAR x 600
4 PIECES	12 GAGE TIE WIRE x 600 ±
30	M16 x 127 HEX BOLT (THREADED FULL LENGTH) AND NUT
60	FLAT WASHERS FOR M16 BOLT
NOTE: NAILS REQUIRED ARE SAME AS SHOWN ON HARDWARE SUMMARY FOR SNOW FENCE W/ ANCHOR SYSTEM #1	

SEE NOTE (X) BELOW

(X) NOTE:
AFTER M16 BOLTS HAVE BEEN TIGHTENED,
BURR THE THREAD DIRECTLY BEHIND THE NUT
TO PREVENT EVENTUAL LOOSENING OF THE NUTS.


**ANCHOR SYSTEM #1
(STANDARD)**



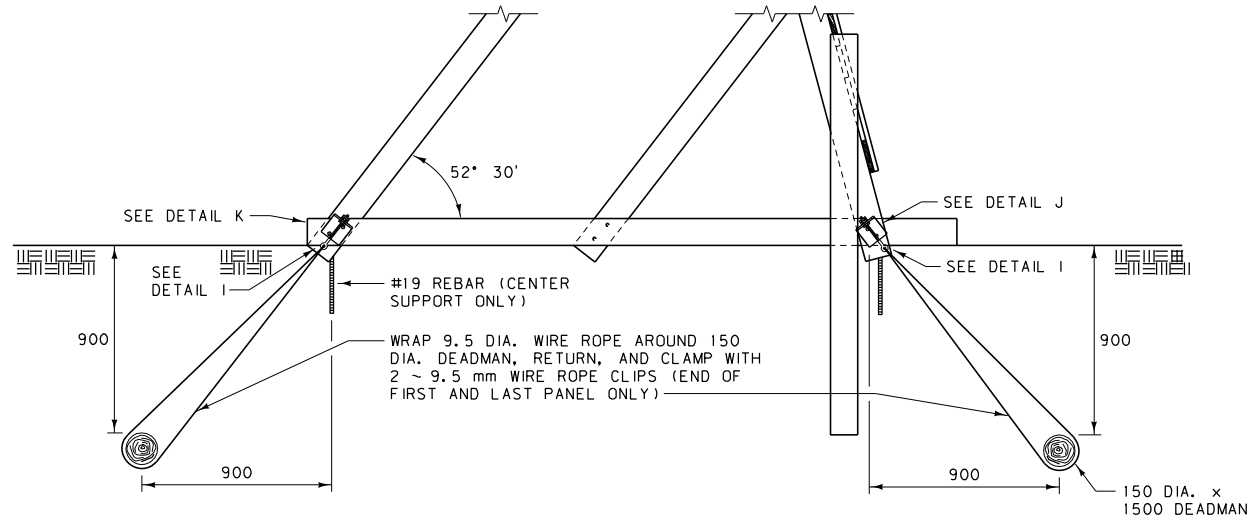
USE TWO #19 REINFORCING BARS FOR EACH END OF EACH SILL MEMBER. DRIVE THE BARS UP TIGHT TO THE FRAME TO PREVENT SLIDING. TIE THE REINFORCING BARS AS SHOWN IN THE WIRE TIE DETAIL. THE PLACEMENT OF THE ANCHORS IS CRITICAL IN PREVENTING OVERTURNING AND SLIDING OF THE FENCE.

STANDARD ANCHOR DETAIL

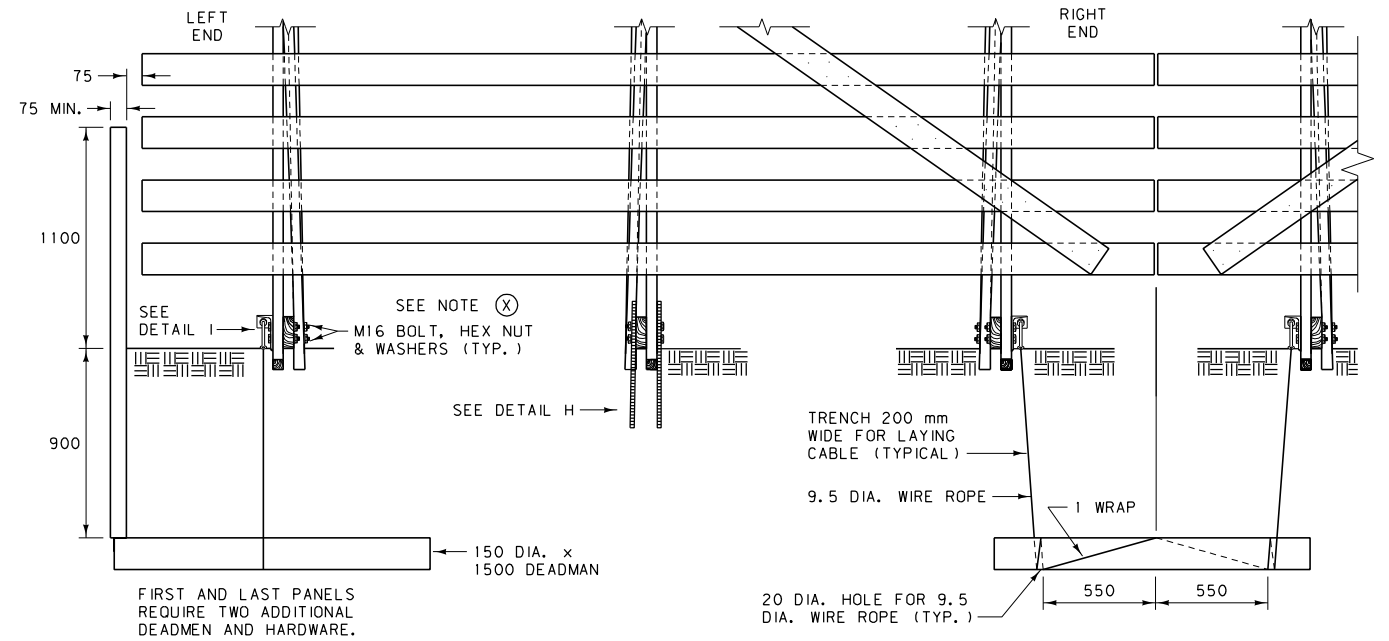
ALL DIMENSIONS ARE MILLIMETERS
(mm) UNLESS OTHERWISE NOTED.

DETAILED DRAWING	
REFERENCE STANDARD SPEC. SECTION 607	DWG. NO. 607-40
WOOD SNOW FENCE ANCHOR SYSTEM #3 AND #1 DETAILS	
EFFECTIVE: FEBRUARY 2005	
 MONTANA DEPARTMENT OF TRANSPORTATION <i>-serving you with pride-</i>	

ANCHOR SYSTEM #2
(FOR SWAMPY CONDITIONS)

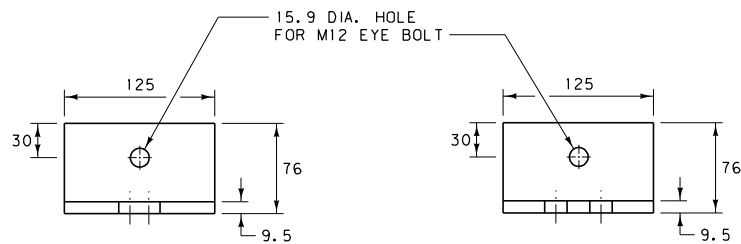


LEFT END VIEW



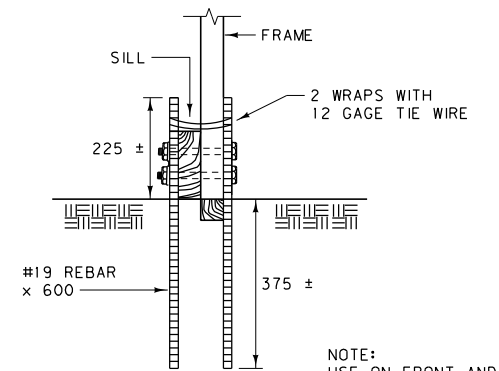
FRONT VIEW

NOTE:
HOLES SHOWN IN DETAILS BELOW ARE FOR LEFT END OF FENCE.
HOLES SHOWN HIDDEN ARE FOR RIGHT END OF FENCE.

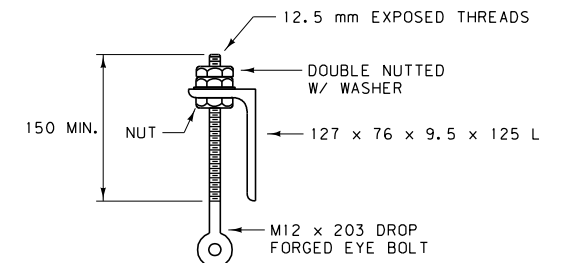


DETAIL J

DETAIL K

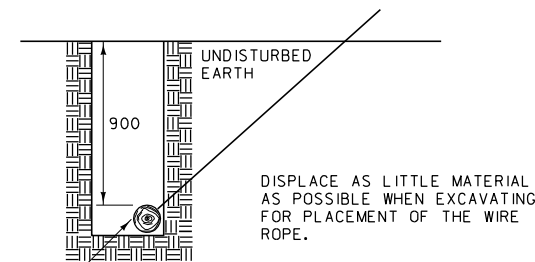


DETAIL H

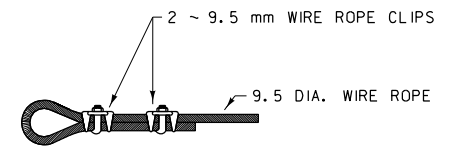


DETAIL I

NOTE:
USE ON FRONT AND BACK OF CENTER SUPPORT.



DEADMAN DETAIL



WIRE ROPE CONNECTION

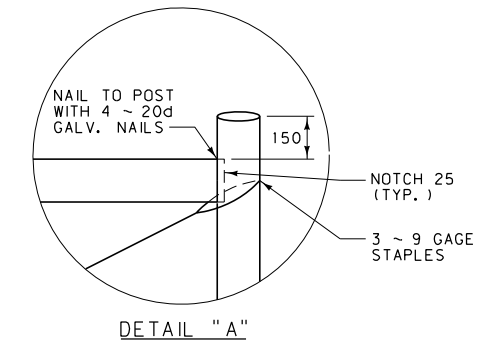
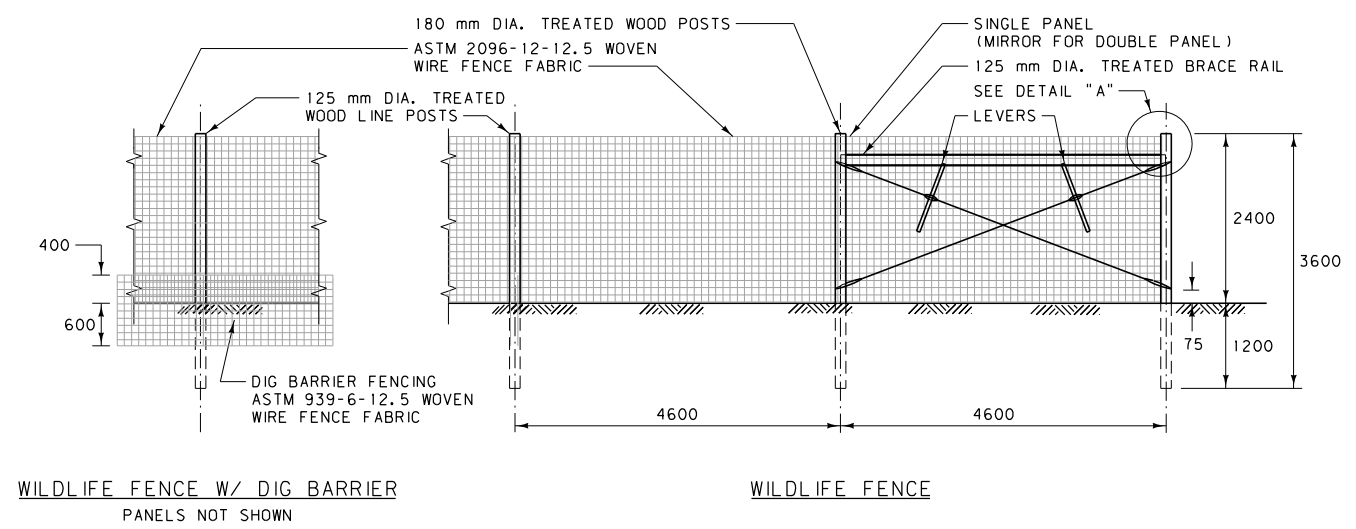
LUMBER - SNOW FENCE W/ ANCHOR SYSTEM #2	
BILL OF MATERIALS FOR ONE PANEL	
SAME AS FOR SNOW FENCE W/ ANCHOR SYSTEM #1	

HARDWARE - SNOW FENCE W/ ANCHOR SYSTEM #2	
BILL OF MATERIALS FOR ONE PANEL	
QUANTITY	DESCRIPTION
4	127 x 76 x 9.5 x 127.0 L
8	9.5 mm WIRE CLAMPS
4	M12 DROP FORGED EYEBOLTS W/ 3 HEX NUTS
4	FLAT WASHERS FOR M12 EYEBOLTS
4	#19 REBAR x 600
4 PIECES	12 GAGE TIE WIRE x 600 ±
8500 mm	9.5 DIA. WIRE ROPE
2	150 DIA. x 1500 POST DEADMEN
30	M16 x 127 HEX BOLT (THREADED FULL LENGTH) AND NUT
60	FLAT WASHERS FOR M16 BOLT
NOTE: NAILS REQUIRED ARE SAME AS SHOWN ON HARDWARE SUMMARY FOR SNOW FENCE W/ ANCHOR SYSTEM #1	

NOTE:
AFTER M16 BOLTS HAVE BEEN TIGHTENED, BURR THE THREAD DIRECTLY BEHIND THE NUT TO PREVENT EVENTUAL LOOSENING OF THE NUTS.

DETAILED DRAWING	
REFERENCE STANDARD SPEC. SECTION 607	DWG. NO. 607-45
WOOD SNOW FENCE ANCHOR SYSTEM #2 DETAILS	
EFFECTIVE: FEBRUARY 2005	
MONTANA DEPARTMENT OF TRANSPORTATION	servicing you with pride

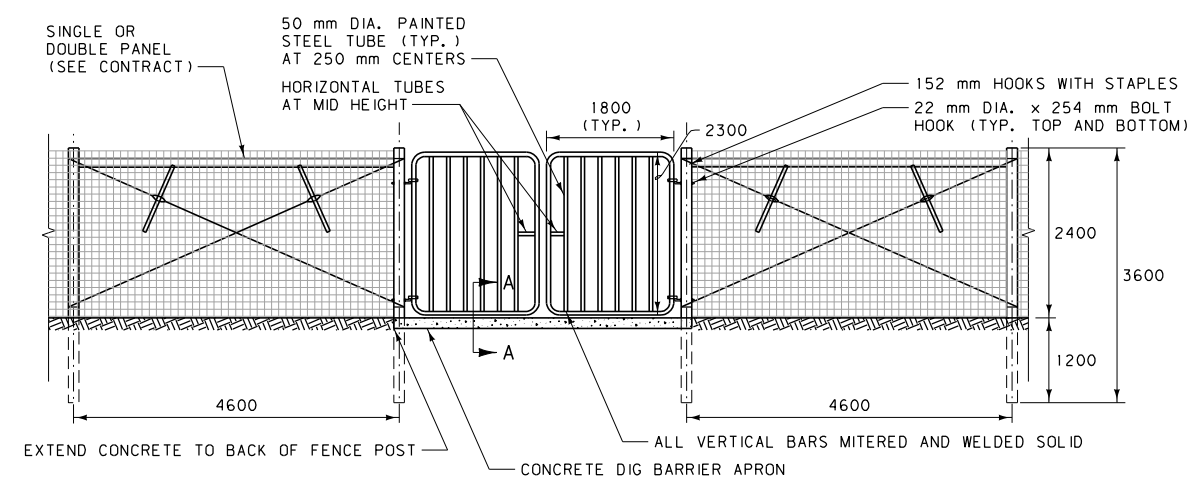
ALL DIMENSIONS ARE MILLIMETERS (mm) UNLESS OTHERWISE NOTED.



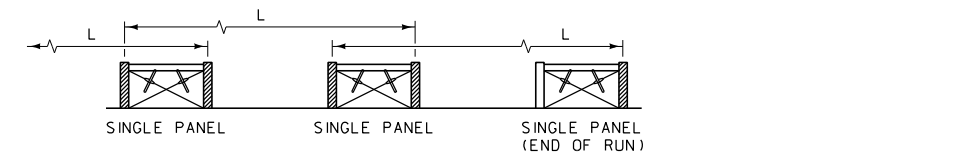
BRACE WIRES - ONE CONTINUOUS 9 OR 12.5 GAGE SMOOTH WIRE DOUBLED TO FORM A FOUR WIRE BRACE. TIE THE TWO ENDS NEAR THE TOP OF THE PANEL POSTS.
LEVERS - 37.5 x 50 x 300 MINIMUM SIZE.

WILDLIFE FENCE W/ DIG BARRIER
PANELS NOT SHOWN

WILDLIFE FENCE

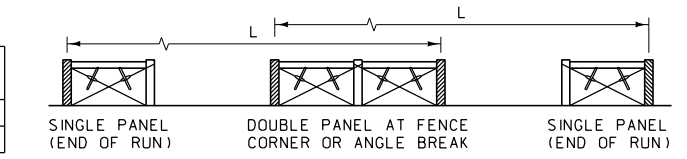


METAL MAINTENANCE ACCESS GATE
CHAIN AND LOCK TO BE SUPPLIED BY MDT FORCES



FENCE TYPE	RUN = L	PANELS REQUIRED
WILDLIFE	LESS THAN 9.2 m	NONE
	9.2 m - 101.2 m	SINGLE

NOTE:
TIE OFF ON ALL CROSS HATCHED OR SHADED POSTS.



FENCE PANEL TYPES

NOTES:
PLACE ALL FENCE WIRE ON PASTURE SIDE OF POST, EXCEPT ON CURVES. THEN, PLACE THE WIRE ON THE OUTSIDE OF THE CURVE.
POST SPACING IS GENERALLY MEASURED PARALLEL TO GROUND.
LINE POST SPACING IS 4600 mm CENTER TO CENTER. LINE POST SPACING FROM BRACE OR PANEL POST IS 4600 mm CENTER TO CENTER.

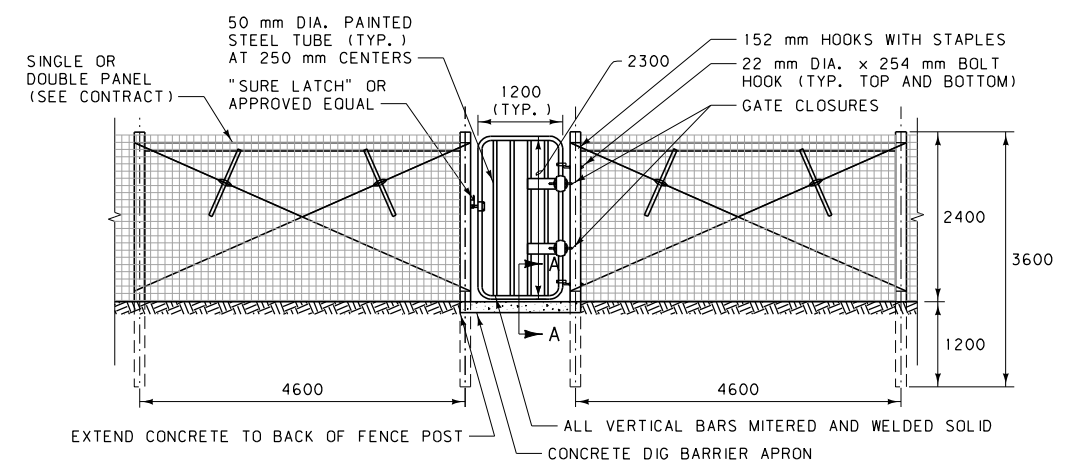
TO ATTACH WOVEN WIRE TO AN END POST, REMOVE TWO OR THREE VERTICAL STAY WIRES FROM THE END OF THE FENCE. PLACE THE FIRST COMPLETE VERTICAL STAY WIRE AGAINST THE POST. START AT THE MIDDLE OF THE HORIZONTAL LINE WIRES, WRAPPING AROUND THE END POST AT LEAST TWO TIMES AND THEN WRAPPING AROUND ITSELF FIVE TIMES.

A DEADMAN MAY BE A PRECAST CONCRETE BLOCK, A CAST IN PLACE CONCRETE BLOCK, A ROCK OR OTHER APPROVED OBJECT WEIGHING AT LEAST 120 kg. BURY THE DEADMAN IN THE GROUND WITH AT LEAST 600 mm OF COVER. ATTACH THE DEADMAN TO THE FENCE WITH 3 STRANDS OF 9 GAGE WIRE OR 6 STRANDS OF 12.5 GAGE WIRE. SEE DTL. DWG. NO. 607-10 FOR ALTERNATE DEADMAN.

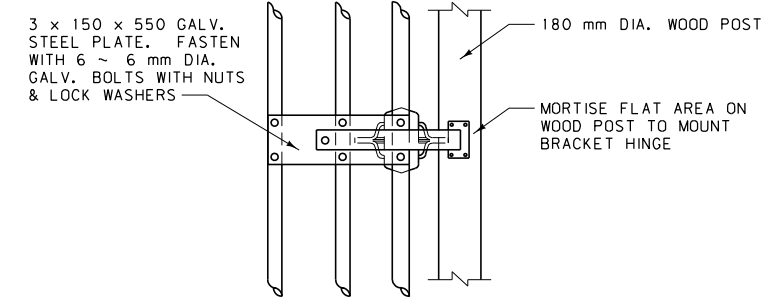
STAPLE THE BOTTOM, TOP, CENTER AND ALTERNATE WIRES OF WOVEN WIRE TO WOOD LINE POSTS.

STAPLE ALL WIRES OF WOVEN WIRE TO WOOD CORNER POSTS OR POST USED TO TIE-OFF WIRE.

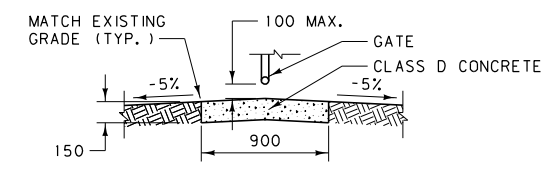
ALL DIMENSIONS ARE MILLIMETERS (mm) UNLESS OTHERWISE NOTED.



METAL EQUINE GATE



TIE BAR MOUNTING DETAIL FOR GATE CLOSERS



SECTION A-A
CENTER CONCRETE DIG BARRIER APRON UNDER CLOSED GATE

DETAILED DRAWING	
REFERENCE STANDARD SPEC. SECTION 607	DWG. NO. 607-50

WILDLIFE FENCE